



SwitchBoard

Alpha Plus α^+



CE



Westinghouse

Leading The Future of Electrification

- A Global Heritage Brand with 130 Years of Product Innovation
- Perfect Products, Creative Services, and Competitive Price

Since 1886, Westinghouse Has Brought The Best To Life.

Westinghouse remains a trusted name globally in consumer and industrial products. Built on a heritage of innovation and entrepreneurial spirit, Westinghouse products were the first to supply the United States with AC electric power, transmit a commercial radio broadcast and capture man's first step on the moon. Today, Westinghouse continues to grow its diverse portfolio with a wide range of product categories that include home appliances, consumer electronics, lighting and power generation.

Alpha Plus Switchgear & Control Gear System


4

SwitchBoard

General Features:

- form 3 / form 4 series is a metal clad compartmentalized switchboard with each feeder units enclosed inside a separate metallic compartment.
- These boards are available in various depths and heights to suit the individual project requirements.
- Protection Class Up to IP – 54
- Cubicles are made out of 2.0mm thick Electro-galvanized sheet steel as standard for outer covers and doors. 1mm thick sheet steel for internal partitions.
- Busbar Chamber of 300mm height is provided at the Top or Bottom as per project specifications.
- Removable Rear covers are provided.
- Doors have Semi-concealed hinges and locks.
- M 12 Lifting Eye Bolts are provided on top of each cubicle.
- All cubicles are powder coated to RAL 7032 – Textured.
- All doors are provided with gaskets for IP54 degree of protection.

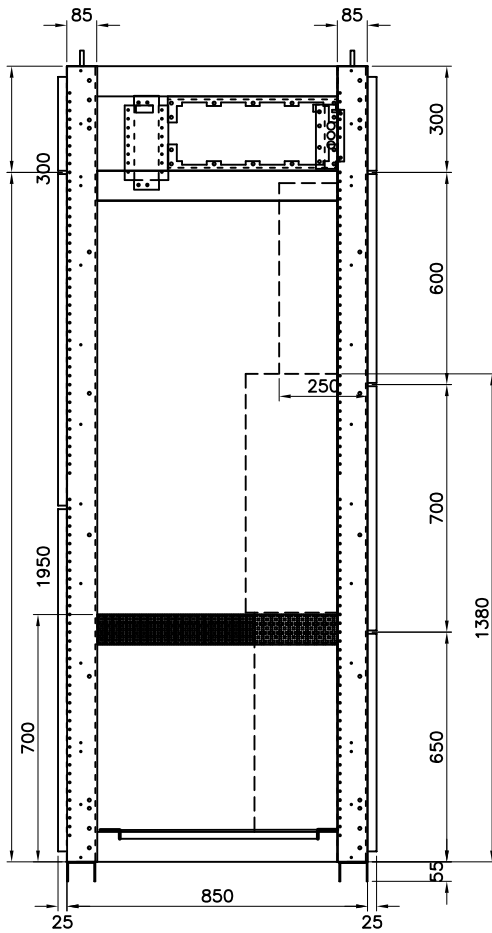
Incoming Section:

- Separate compartments are provided for instruments, ACB and the incoming cabling.
- The Instrument compartment has separate doors for KWh meter and instruments.
- The ACB compartment has a hinged door. Outgoing Section:
- Outgoing enclosures are provided with compartments of minimum 200mm height in multiples of 25mm.
- Each compartment has removable side module covers, Rear mounting plate, Base plate and a hinged door.
- Vertical Bus Bar chamber column of 300mm width will provided for feeder columns.
- Cable alleys can be provided either for front or rear access cabling for all outgoing feeder compartments.

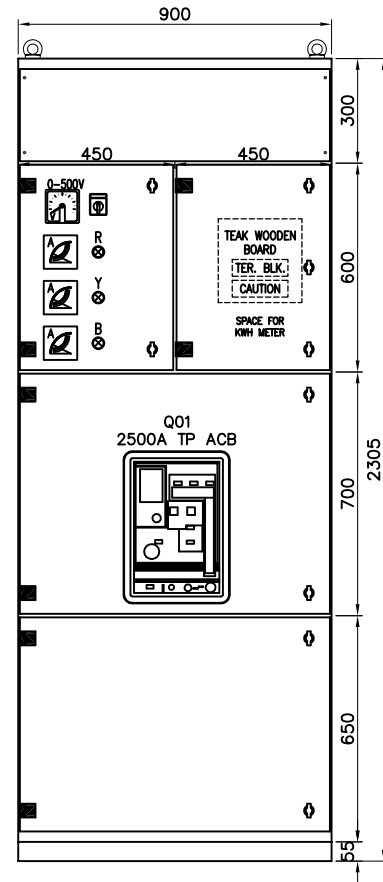
Alpha Plus Switchgear & Control Gear System MDB

4

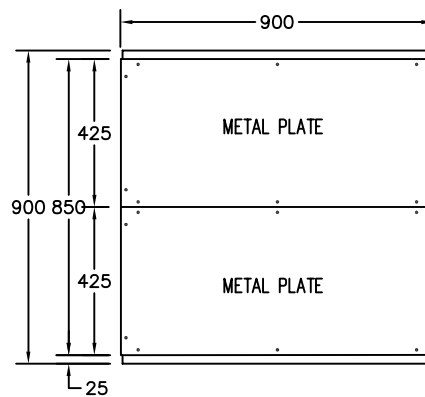
SwitchBoard



SIDE VIEW



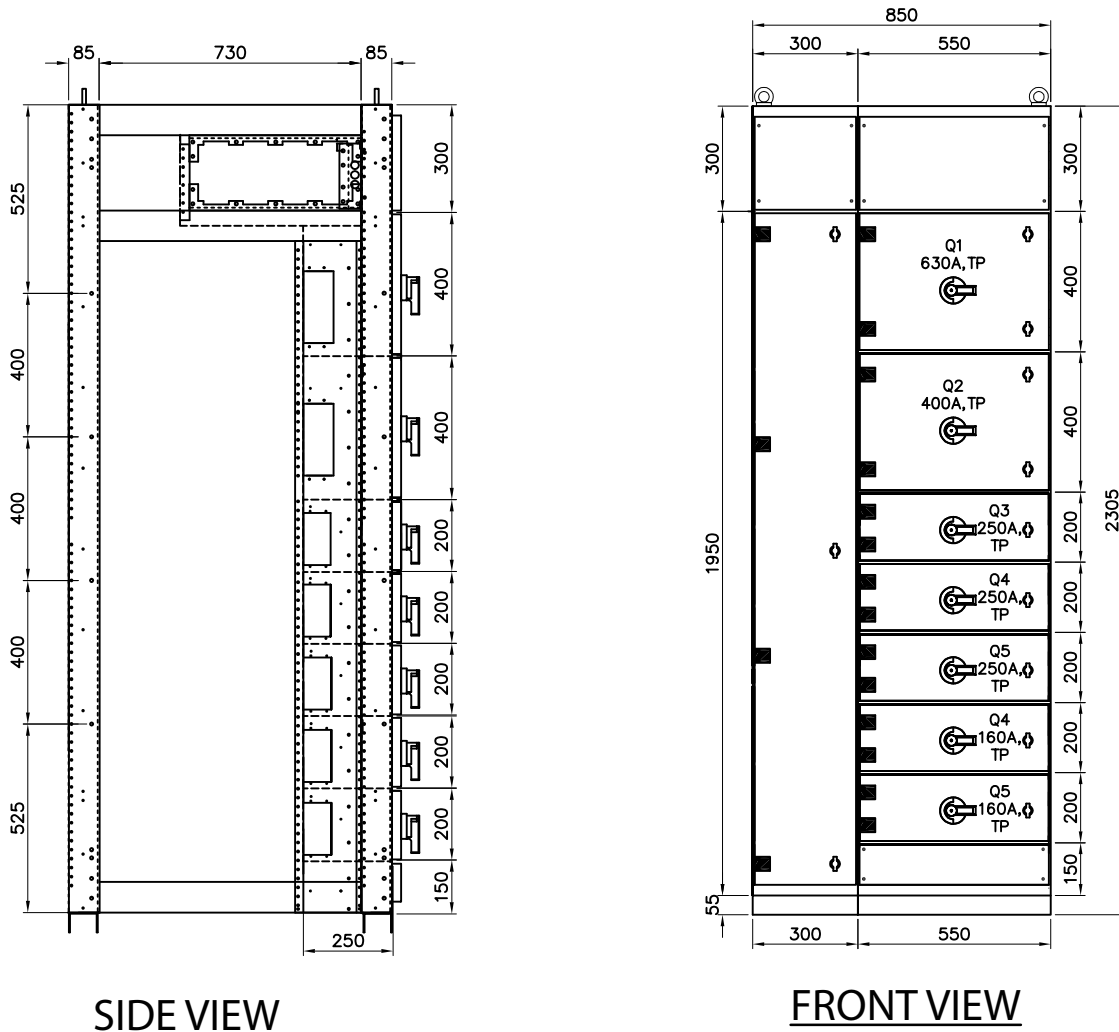
FRONT VIEW



SECTIONAL PLAN

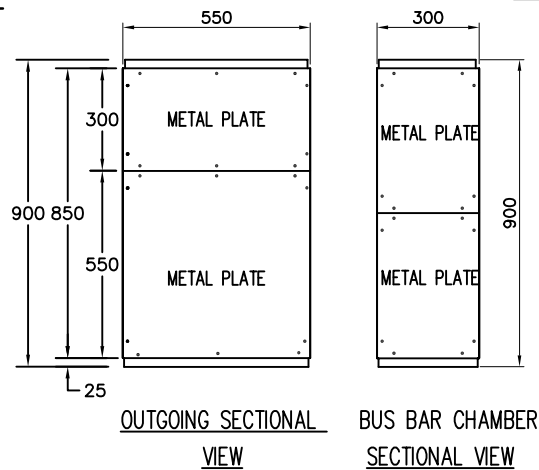
ALPHA PLUS MDB INCOMING SECTION

Alpha Plus Switchgear & Control Gear System MDB



SIDE VIEW

FRONT VIEW



OUTGOING SECTIONAL VIEW

BUS BAR CHAMBER SECTIONAL VIEW

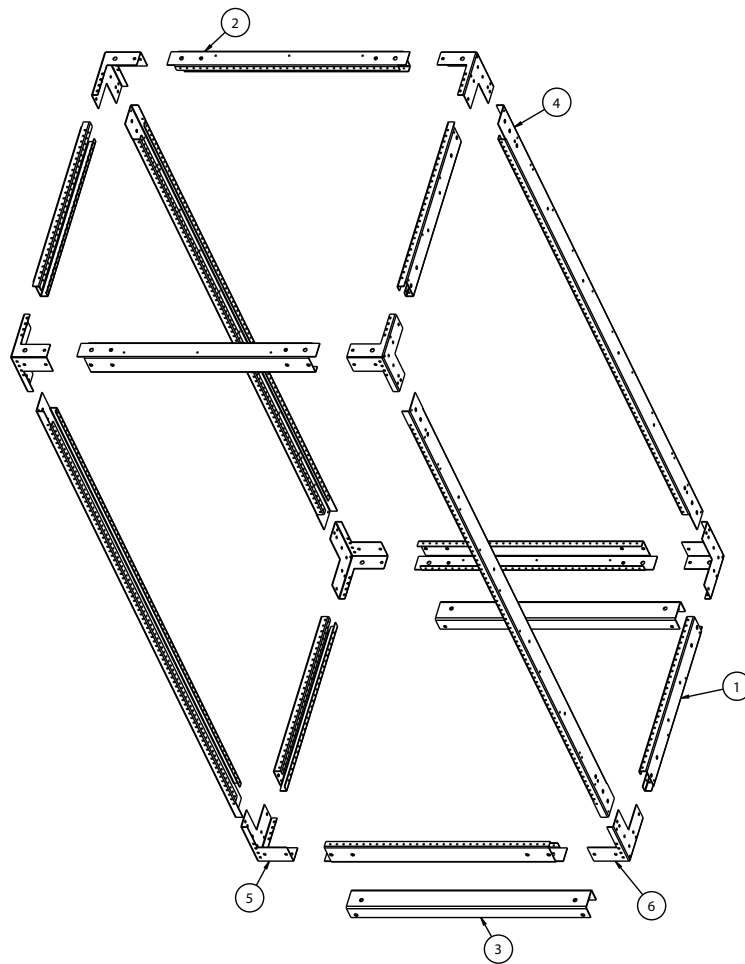
ALPHA PLUS MDB OUTGOING FEEDER SECTION

Alpha Plus MDB Incoming Columns Frame Assembly

EXPLODED ISOMETRIC VIEW

4

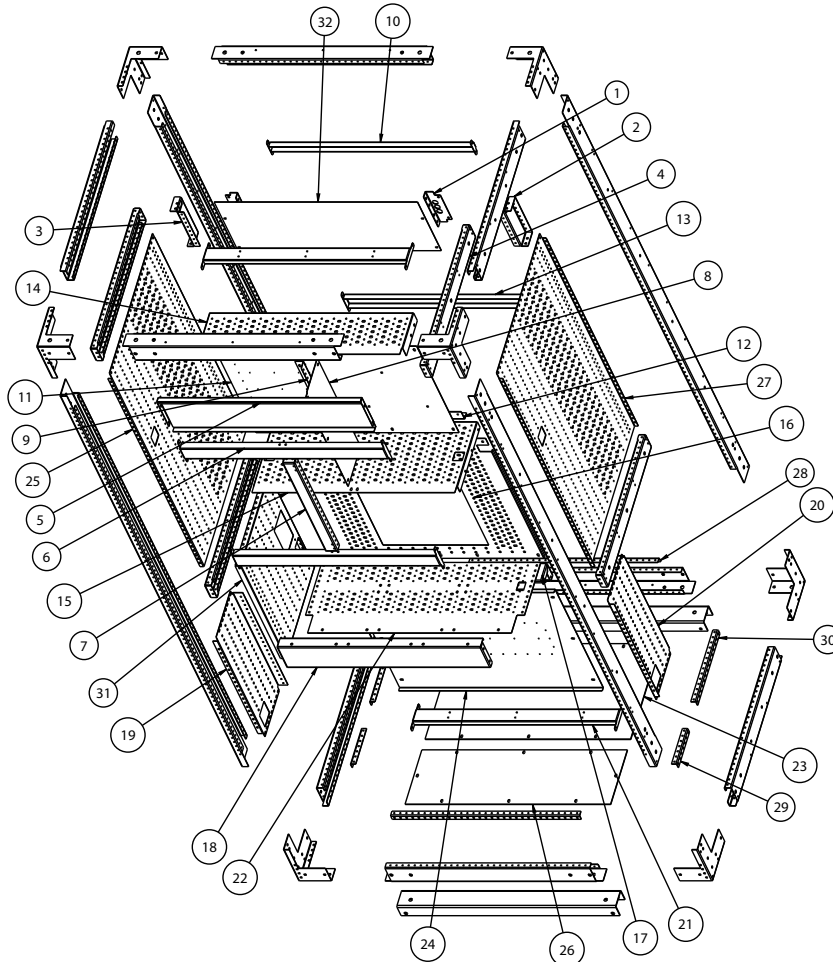
SwitchBoard



LOCATION	PART IDENTIFICATION	QUANTITY
1	9890017-1_T_B_VERT_SPT_D721	4
2	9900048-1_T-B_VERT_SUPP_W840	4
3	9900049-1_METAL_BS_INC_W898D80	2
4	9900050-1_VERT_POST_H2250W85	4
5	9900051_CORNER_BKT_RIGHT	4
6	9900052_CORNER_BKT_LEFT	4

Alpha Plus MDB incoming Frame Complete with Internal parts

EXPLODED ISOMETRIC VIEW



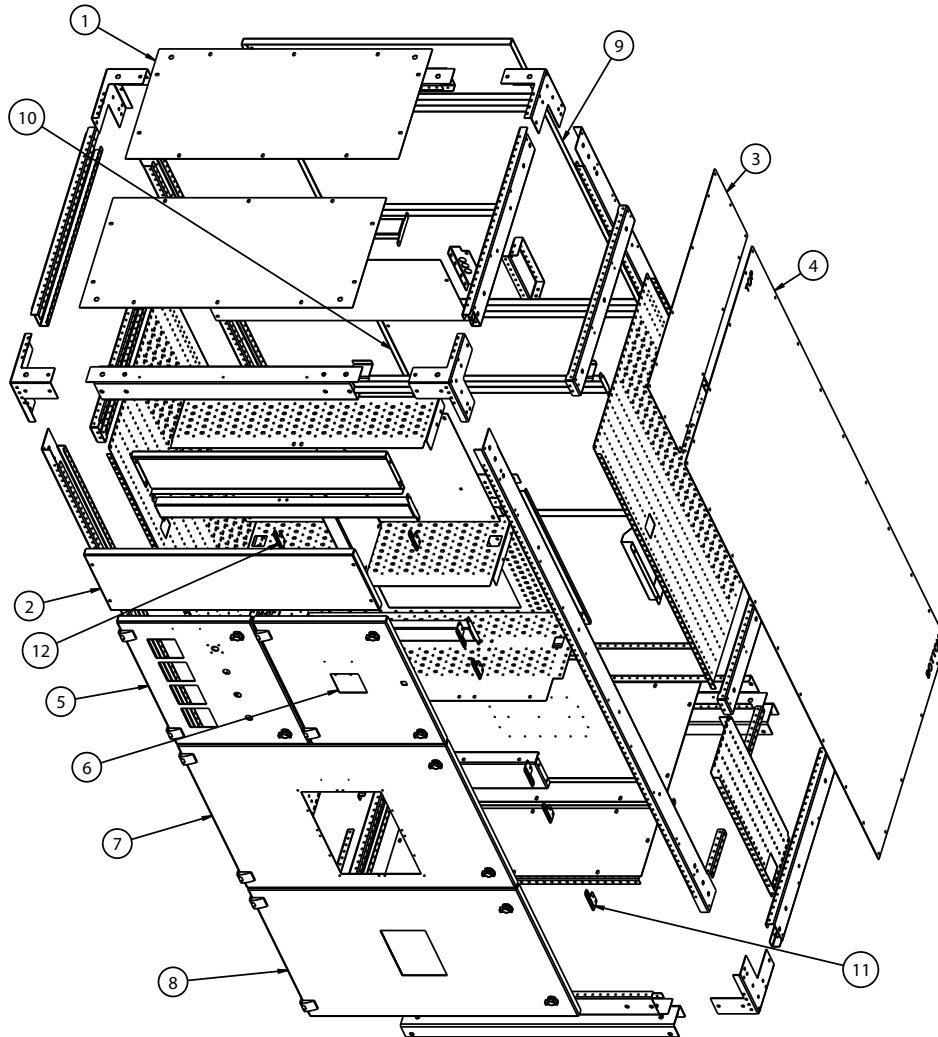
LOCATION	PART IDENTIFICATION	QUANTITY
1	9900057_H R Z _M T L _S P T _H 180	2
2	9890032-1_PIBON-M-B-SPT-3-4A	1
3	9890032-2_PIBON-M-B-SPT-3-4B	1
4	9890034- 1_S D _H R Z T - S P T - 3- 7	4
5	9900010-1_HRZ_BB_D_FR_H184W838	1
6	9900011- 1_M T L _B R K T _W 840	2
7	9900012-1_DVDR_MTL_BKT_H540	1
8	9900013-1_MTRG_KWH_BRR_H598D193	1
9	9900014-1_MTRG_KWH_BRR_SPT_H540	1
10	9900017-1_HRZ_CV_BKT_W840	1
11	9900019-1_W_KWH_M_PLT_H525W838	1
12	9900020-1_WRG_MTG_PLT_M_B_W838	1
13	9900021-1_INCMR_B_DOOR_BKT_W840	1
14	9900022-1_HRZ_BB_BRR_W840D200	1
15	9900024-1_MTR_BTM_CMPT_W840D345	1
16	9900028-1_ACB_INC_BRR_H725W838	1

LOCATION	PART IDENTIFICATION	QUANTITY
17	9900031-1_ACB_METAL_BASE_W844	1
18	9900032-1_ACB_INC_BKT_H125W840	1
19	9900034-1_REF_MTG_BR_L_H604W235	1
20	9900035-1_REF_MTG_BR_R_H604D235	1
21	9900036-1_M_B_FOR_BP_IN_SC_W840	2
22	9900037-1_AVB_IN_M_P_W898D400	1
23	9900038-1_AL_BS_PLT_W843D461	1
24	9900039-1_W_MTG_PLT_H600W835	1
25	9900040-1_S_BR_IN_S_L_H1172D676	1
26	9900041- 1_B S _P L T _W 846D 262	1
27	9900044-1_S_BR_IN_S_R_H1172D676	1
28	9900054-1_MTL_SP_BTM_BS_PL_W775	2
29	9900054-2_MTL_SP_BTM_BS_PL_D171	2
30	9900054-3_MTL_SP_BTM_BS_PL_D346	2
31	9900055-1_N_AN_ERTH_BR_H565D443	1
32	9900056-1_HRZ_BB_RR_C_H295W838	1

Alpha Plus MDB Incoming Complete with Module Parts

EXPLODED ISOMETRIC VIEW

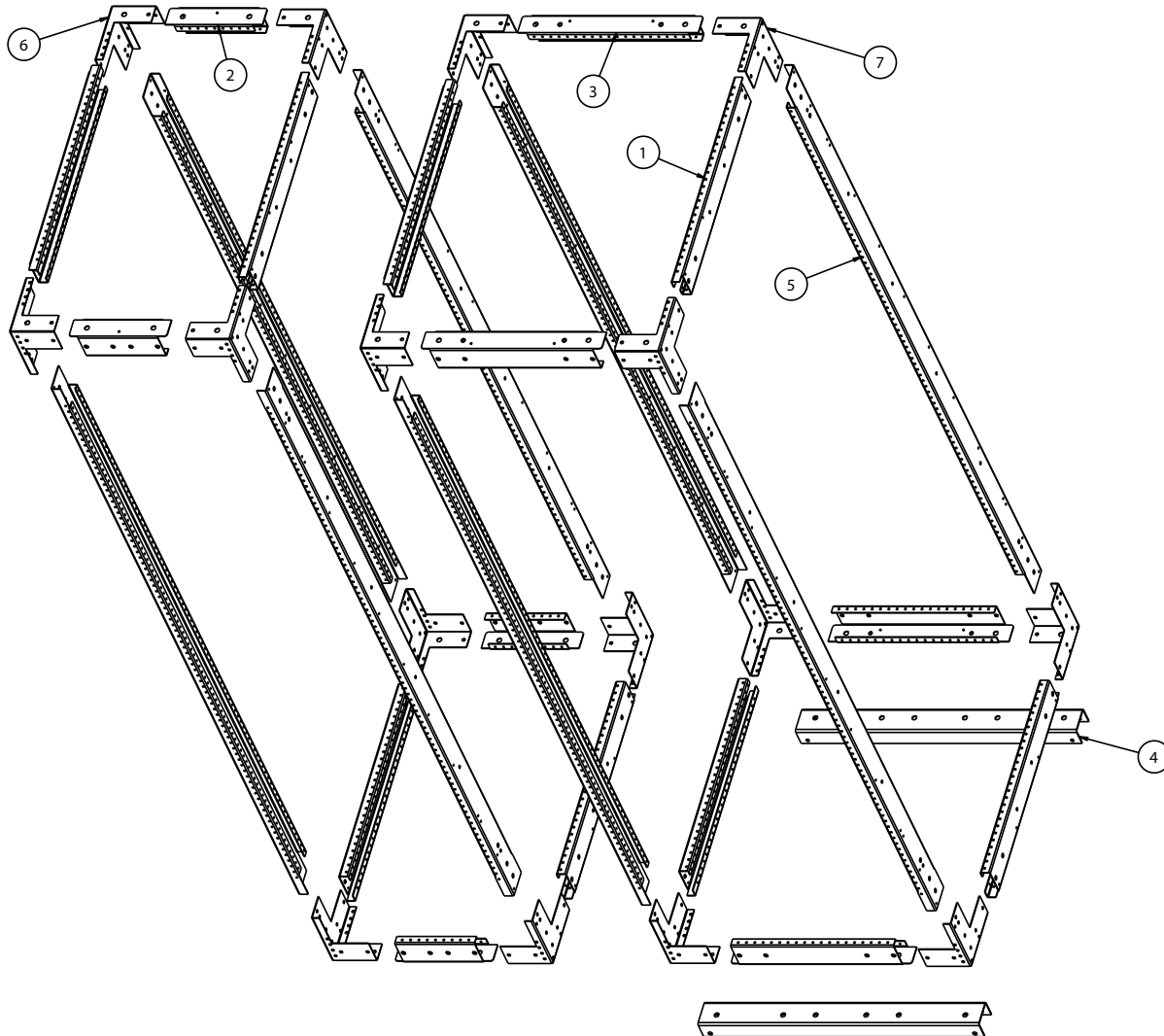
4
SwitchBoard



LOCATION	PART IDENTIFICATION	QUANTITY
1	9900015-1_TOP_CVR_INC_SE_W898_D424	2
2	9900005-1_T O P _F R T _C V R _H 270_W 885	1
3	9890031- 1_SIDE_CVR_6- 7	1
4	9890031- 2_S I D E _C V R _6- 8	1
5	9900003-1_METERING_FRT_CVR_H595_W440	1
6	9900004- 1_KWH_FRT_CVR_H 595_W 440	1
7	9900002- 1_TOP_FRT_CVR_H 695_W 885	1
8	9900001- 1_REF_FRT_CVR_H 620_W 885	1
9	9900029-0_WLD_BC_CVR_INC_SEC_H944_W885	1
10	9900030-0_WLD_BC_CVR_INC_SEC_H969_W885	1
11	9900043- 1_DOOR LOCKES _2_H 90	6
12	9900042- 1_DOOR LOCKES _1_H 90	2

Alpha Plus MDB Outgoing Columns Frame Assembly

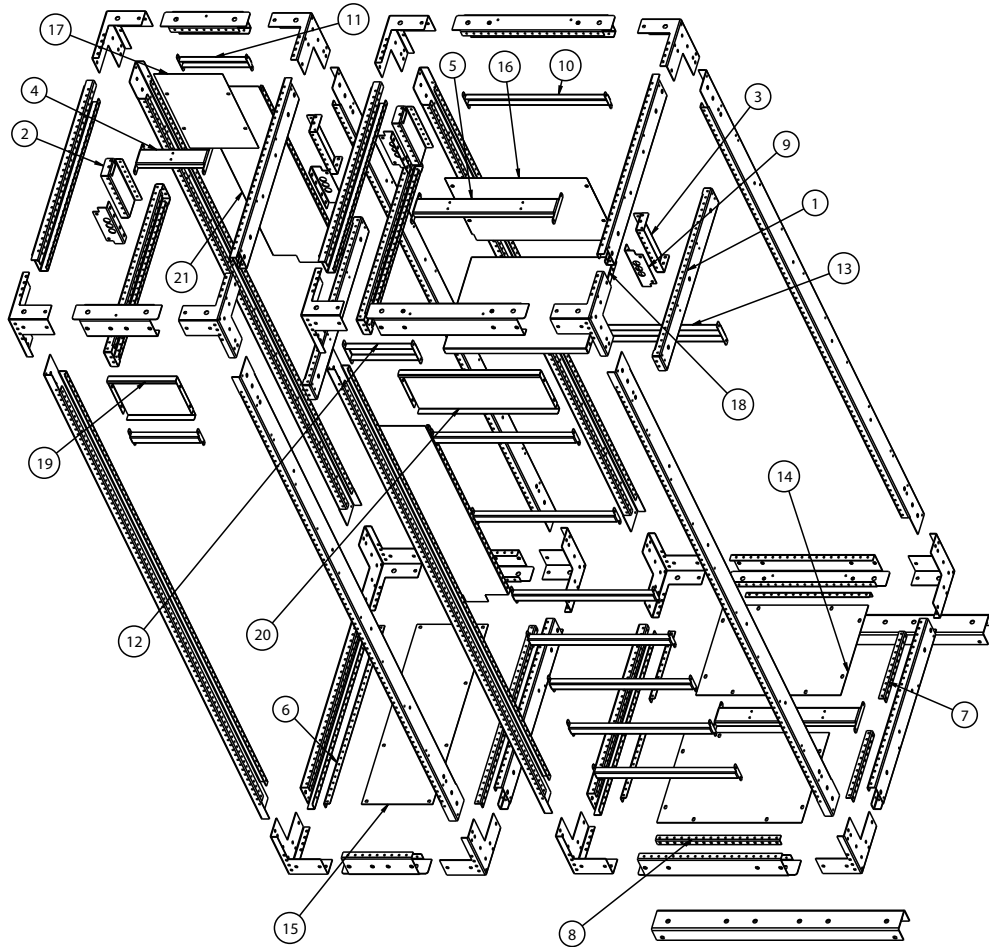
EXPLODED ISOMETRIC VIEW



LOCATION	PART IDENTIFICATION	QUANTITY
1	9890034-1_SD-HRZT-SPT-3-7	4
2	9890032-3_PIBON-M-B-SPT-3-4C	2
3	9890032-4_PIBON-M-B-SPT-3-4D	2
4	9890005-1_OG_T_AD_B_PLT_BKT	1
5	9890022-1_OG_T_AD_B_PLT_BKT	2
6	9890036-1_OG-BTM-PT-BKT_D425	2
7	9890024-1_OG-TOP-PT-BKT_W175	4
8	9890024-2_OG-TOP-PT-BKT_W375	2
9	9900057_HRZ_MTL_SPT_HI800	4
10	9890040-2_OG_CPM_SPT_BKT_W490	9

Alpha Plus MDB Outgoing Frame Complete with Internal Parts EXPLODED ISOMETRIC VIEW

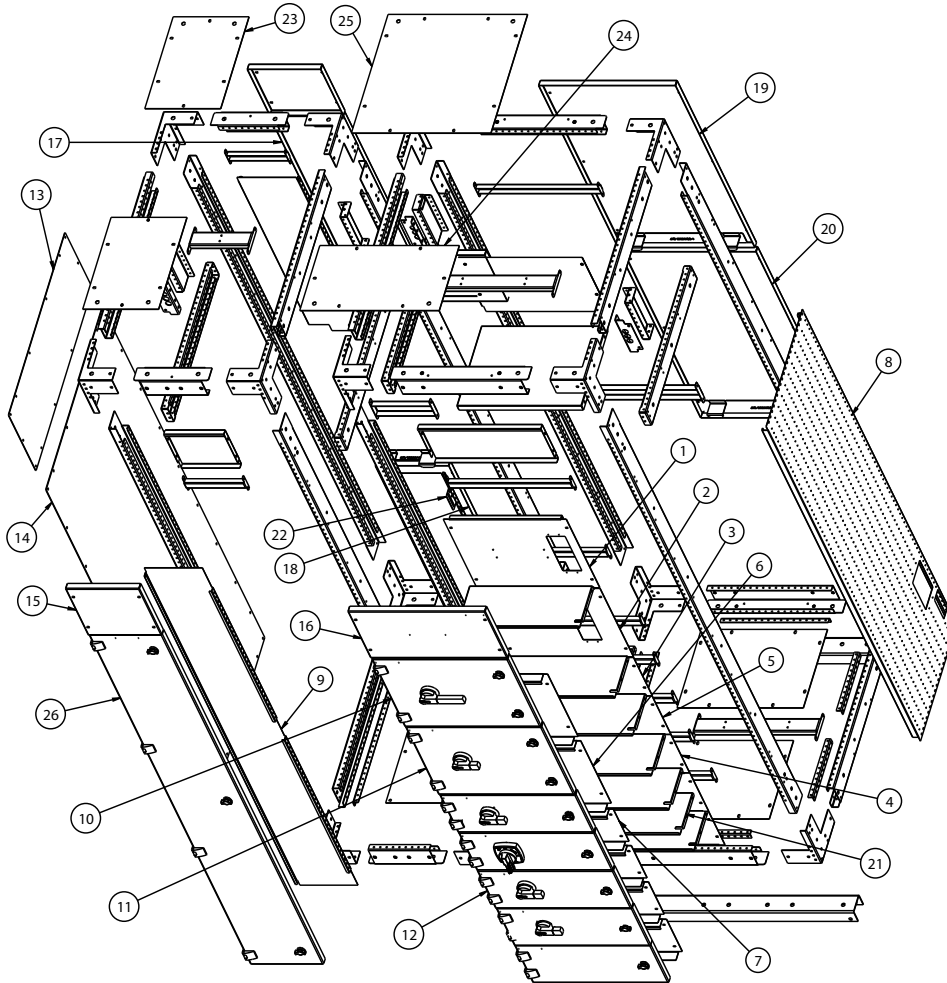
4
SwitchBoard



LOCATION	PART IDENTIFICATION	QUANTITY
1	9890034-1_SD-HRZT-SPT-3-7	4
2	9890032-3_PIBON-M-B-SPT-3-4C	2
3	9890032-4_PIBON-M-B-SPT-3-4D	2
4	9890005-1_OG_T_AD_B_PLT_BKT	1
5	9890022-1_OG_T_AD_B_PLT_BKT	2
6	9890036-1_OG-BTM-PT-BKT_D425	2
7	9890024-1_OG-TOP-PT-BKT_W175	4
8	9890024-2_OG-TOP-PT-BKT_W375	2
9	9900057_HRZ_MTL_SPT_H1800	4
10	9890040-2_OG_CPM_SPT_BKT_W490	9

11	9890040-1_OG_CPM_SPT_BKT_W240	2
12	9890006-1_BB_CMB_BCK_BKT_W240	1
13	9890006-2_BB_CMB_BCK_BKT_W490	1
14	9890026-1_OG_BTM_PLT_3-3	2
15	9890004-1_BTM-PLT-FOR_BB-CB-3-2	1
16	9890001-1_BACKBARRIER-4-3	1
17	9890002-1_BACKBARRIER_4-4	1
18	9890023-1_O_G_CMPRMT_TP_CVR	1
19	9890046-1_HRZ_BB_DPT_FRT_W238	1
20	9890046-2_HRZ_BB_DPT_FRT_W485	1
21	9890021-1_B B _C H B _B R	2

Alpha Plus MDB Outgoing Frame Complete with Feeder Module Parts EXPLODED ISOMETRIC VIEW



4

SwitchBoard

LOCATION	PART IDENTIFICATION	QUANTITY
1	9890081-1_O_B_P_GE-FG630A_H400	1
2	9890082-2_O_B_P_FTCK400A_H400	1
3	9890081-2_O_B_P_GE-FE250A_H220	1
4	9890081-3_O_B_P_GE-FD160A_H220	1
5	9890082-3_O_B_P_FTCK250A_H220	1
6	9890084-1_DPH_FRT_CVR_630A-400A	2
7	9890084-2_DPH_FRT_CVR_250A-160A	4
8	9890090-1_INTR-SD-BARR_D545	1
9	9890007-2_BB_CMB_BARR-B	1
10	9890096-0_DOOR_GEGF630_H395_ASY	1
11	9890097-0_DOOR_FTCK400_H395_ASY	1
12	9890100-0_DOOR_GE-FTM_160A_ASY	2
13	9890031-1_SIDE-CVR-6-7	1

LOCATION	PART IDENTIFICATION	QUANTITY
14	9890031-2_SIDE-CVR-6-8	1
15	9890012-1_BB-CMB-T-F-N-R-CR-6-4	2
16	9890035-1_TP-FR-N-RE-CVR-6-1	1
17	9890051-0_BB-CMB-BK-CVR-6-5_WLD	1
18	9890052-0_BB-CMB-BK-CVR-6-6_WLD	1
19	9890053-0_OG-BCK-CVR-6-2_WLD	1
20	9890054-0_OG-BCK-CVR-6-3_WLD	1
21	9890045-2_OG_OPT_PL T D195-B	7
22	9890059_BKT_DR_LCK	12
23	9890011-1_BB-CMB-TOP-CVR-7-3	2
24	9890029-1_OG_TOP-CVR-7-1	1
25	9890029-2_OG_TOP-CVR-7-2	1
26	9890101-0_BB_CMB_FRT_DR_ASY	1

Alpha Plus Switchgear & Control Gear System

- Westinghouse provides an extensive low voltage electrical equipment package to cover most applications. Due to the adaptability of Westinghouse is modular systems, many of the equipment or systems can easily be supplied and integrated in the same enclosure. Westinghouse offers the complete range form packaged sub-stations main boards with nominal ratings from 800A to 6400A.
- Incoming feeder sections and bus-coupler arrangements are available for rated current up to 6400A. Full flexibility of choice is offered in the selection of electrical equipment with regard to brand, make and type of breakers for fixed, withdrawal, etc. Rating Table- Type- TESTED Range of Assemblies(TTA)*

4

SwitchBoard

Rating Table- Type-Tested Range of Assemblies (TTA)*



- All Westinghouse L.V. Switchgear has been fully type- tested according to specifications and requirements of latest IEC 61439-1 & 2.it conforms to major markets specification in the world.



Alpha Plus Switchgear & Control Gear System

The following tests have been successfully carried out at independent test laboratories by ASTA & KEMA. Further specific tests are also performed and verified by local testing body like PSB (Productivity and Standards Board of Singapore) for some local installations:

- Verification of temperature-rise limits
- Verification of dielectric properties
- Verification of short-circuit withstand strength
- Verification of the effectiveness of protective circuit
- Verification of the clearances and creepage distances
- Verification of mechanical operation
- Verification of degree of protection
- Verification of electromagnetic compatibility
- Verification of the resistance of insulating material to abnormal heat and fire

The busbar system and its operating temperature is designed and tested for below 80 degree temp rise i.e. 80K for both vertical and horizontal placements of breakers in both direct and reverse feeding, and ingress protection up to IP43, complete Switchgear is certified for for FDB, SMDB, IP54 for MDB. electromagnetic compatibility by ASTA & KEMA. Certification services.

Rating Table-Tested Range of Assemblies (TTA)*

Rated current	Short time withstand (Icw)	Configuration
800 Amp	50/1 secs	Single support
1250 Amp	50/1 secs	Single support
1600 Amp	50 / 3 secs and 80/1 secs	Single support
2500 Amp	65/1 secs	Single support
2000 Amp	65/3 secs	Single support
3200 Amp	80/1 secs	Single support
4000 Amp	80/1 secs	Single support
5000 Amp	80/1 secs	Single support
6400 Amp	100/1 secs	Single support

*Updated at the time of publication. Please contact us for an updated list.

Busbar

Tinned copper with 100% full-sized neutral (no matt-black copper is used within board)

Finishing

Powder coated texture finishing to RAL 7032 (light beige). A wide choice of colours is also available upon request.

Forms of Separation

Form 2, 3 & 4 constructions up to Form 4 - Type 7-

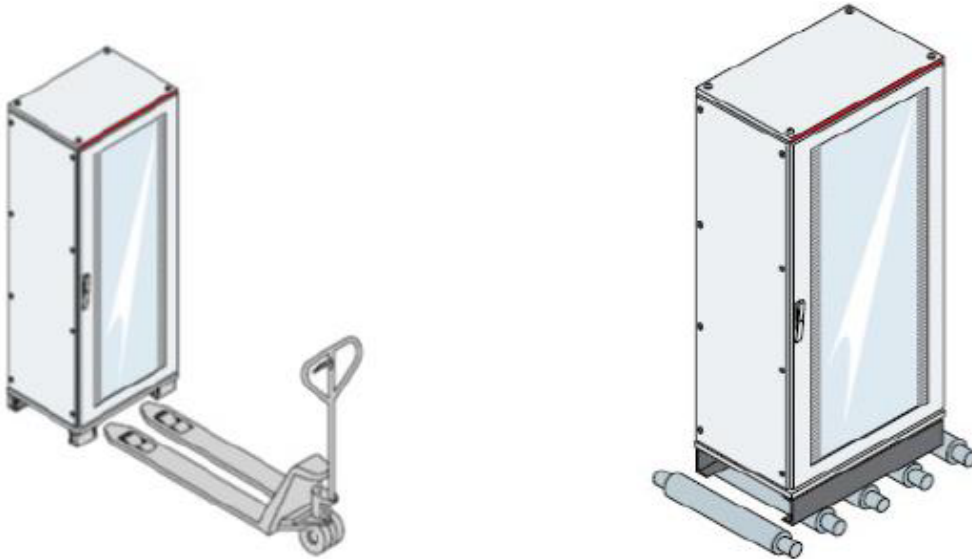
Entry

Top and bottom cable and busduct entry with removable cable entry gland plates or insulated boards.

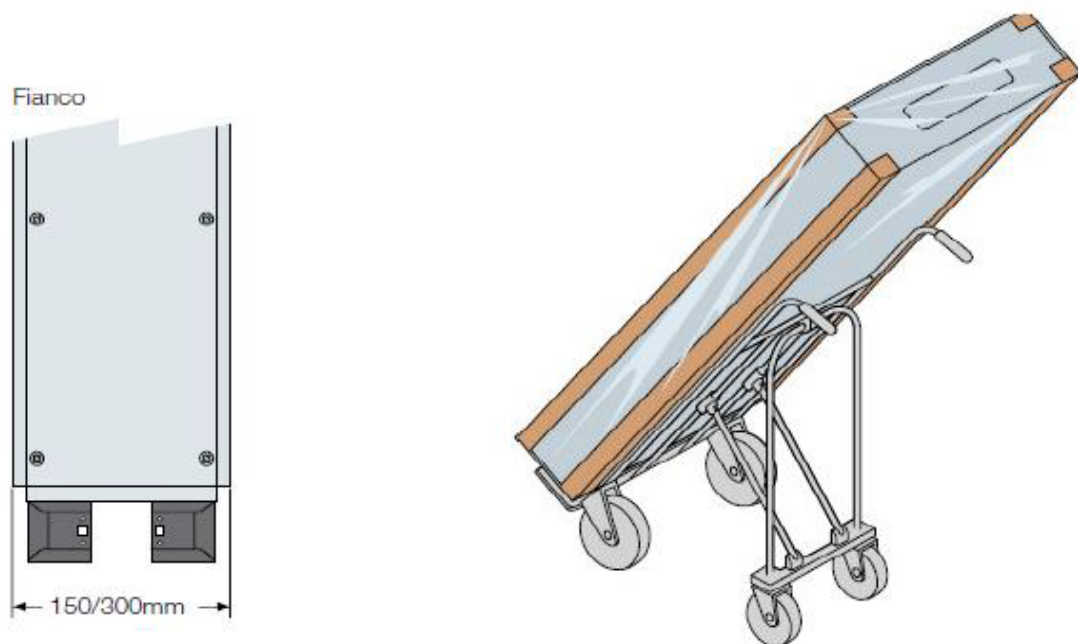
HANDLING AND INSTALLATION

Handling

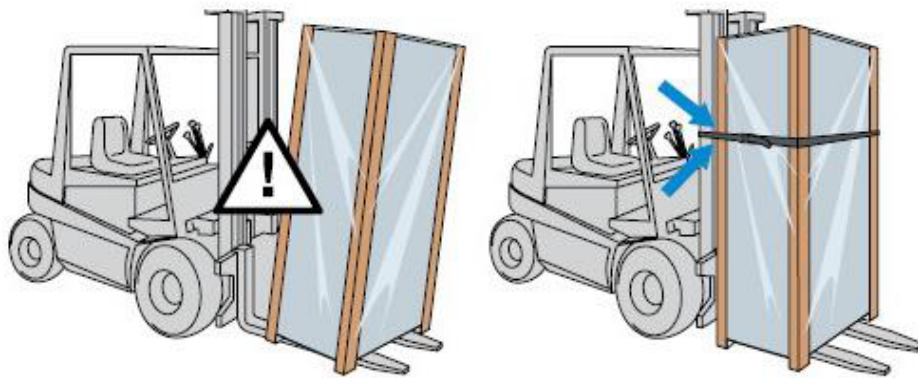
- Handling the structures by rollers. It is applicable only with plinths.



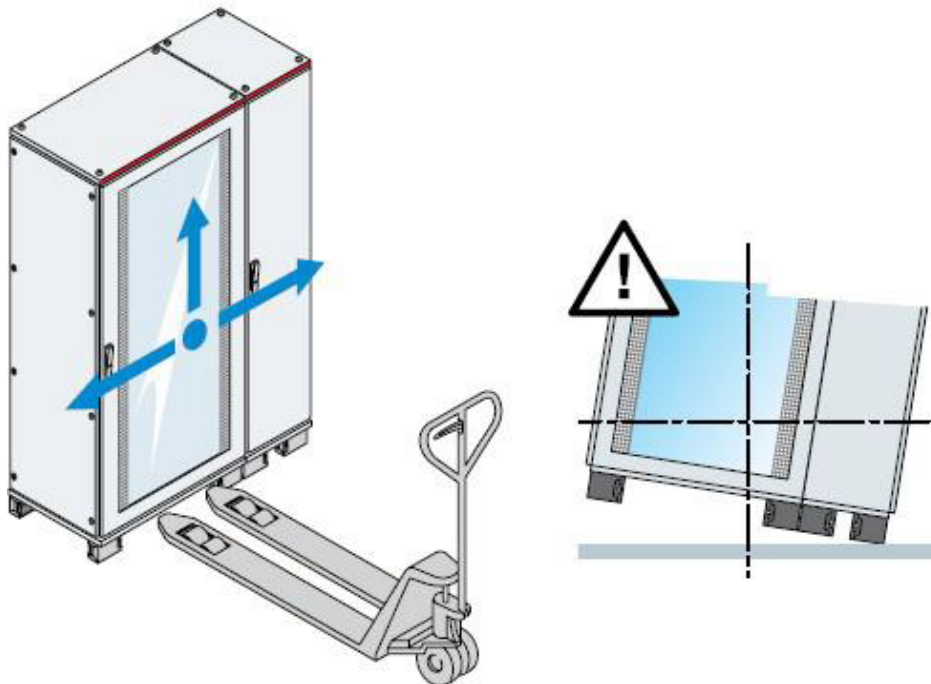
- For the panels which has depth up to 250 mm, following type handling is recommended:



- During transport with a forklift it is advisable to tie the panel with rope.

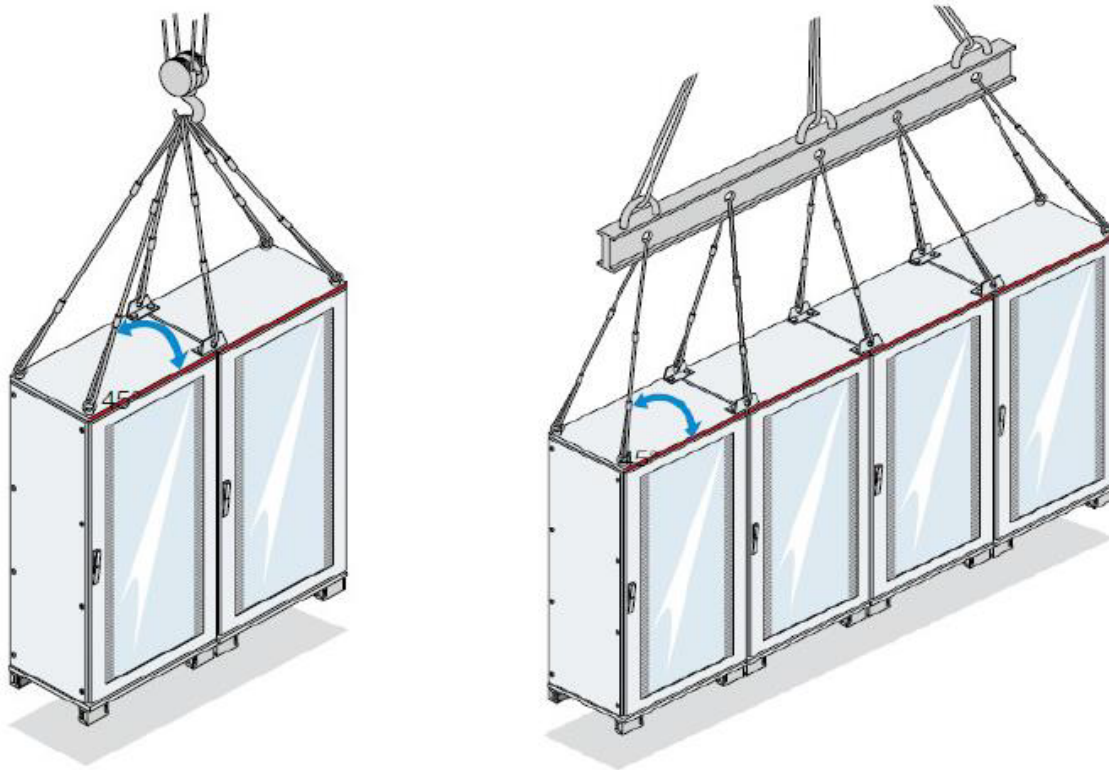


- For the structures with busbar compartment, check the center of gravity before handling.



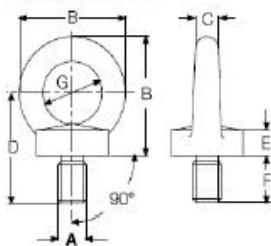
Handling with Crane

- Handle using a crane, check the following conditions before lifting the panel.
- Excellent positioning of the ropes or chains;
- The angle between the lifting ropes and the panel roof must be $\geq 45^\circ$;
- Maximum 3 columns can be transported
- While handling several columns side by side above conditions must be applied

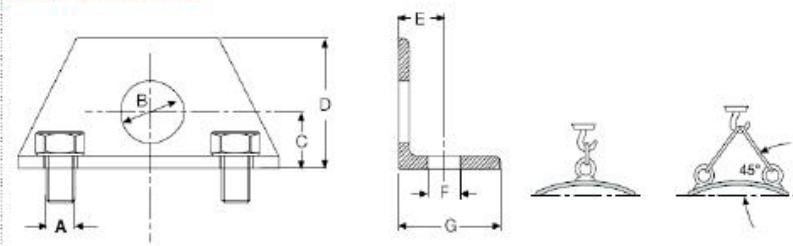


DIN 580 Standard regarding mechanical connection elements (only for lifting eyebolts)

Lifting eyebolts



Lifting reinforcements





Alpha Plus MCB & MCCB Distribution Boards System



Alpha Plus Three Phase MCCB Panel Distribution Board 800-1250A Ki Series

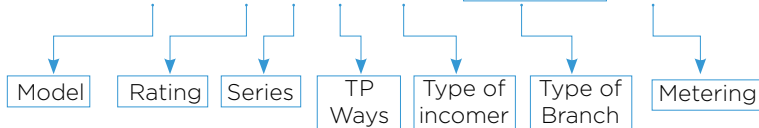
4

SwitchBoard

- Assembly complies with IEC 61439-1,2
- ASTA Certified withstand short circuit 50KA for 1 sec & 35kA for 3 sec.
- Current rating tested up to 1250A.
- Ingress protection to IP54 is standard to IEC 60529
- Fully Insulated tin plated copper busbars, fully braced and supported
- High quality epoxy powder paint finish RAL 7032
- Dead front cover available behind the doors for additional protection
- Branch breakers up to 800A
- Floor free standing sheet steel enclosure with 2mm thickness
- Flat removable gland plates for easy drilling and cable access
- Generous cabling area with two standard sizes throughout the range



Catalogue Number and Selection Guide Three Phase MCCB Panel Distribution Board Ki Series Alpha Plus 1250 Ki 6 / N - 2 N + 6G / M



Catalogue Number	Ref.No.	Outgoing ways TP	Dimension (mm)		
			Height A	Width B	Depth C
800A					
Alpha Plus 800Ki6-	W603708	6	2000	1200	600
Alpha Plus 800Ki8-	W603709	8	2000	1200	600
Alpha Plus 800Ki10-	W603710	10	2000	1200	600
Alpha Plus 800Ki12-	W603711	12	2000	1200	600
Alpha Plus 800Ki14-	W603712	14	2000	1200	600
Alpha Plus 800Ki16-	W603713	16	2000	1200	600
Alpha Plus 800Ki18-	W603714	18	2000	1200	600

Catalogue Number	Ref.No.	Outgoing ways TP	Dimension (mm)		
			Height A	Width B	Depth C
1250A					
Alpha Plus 1250Ki6-	W603701	6	2000	1200	600
Alpha Plus 1250Ki8-	W603702	8	2000	1200	600
Alpha Plus 1250Ki10-	W603703	10	2000	1200	600
Alpha Plus 1250Ki12-	W603704	12	2000	1200	600
Alpha Plus 1250Ki14-	W603705	14	2000	1200	600
Alpha Plus 1250Ki16-	W603706	16	2000	1200	600
Alpha Plus 1250Ki18-	W603707	18	2000	1200	600

MCCB Frame	Number Of Poles	Ref.No.	Ampere range	Breaking Capacity	Dimension (mm)		
					Height A	Width B	Depth C
Main MCCB Incomer							
N	3	W603715	800-1250A	50kA	406	210	140
L	3	W603716	630-800A	50kA	406	210	140

Alpha Plus MCCB Distribution Boards Series (Ci,Gi,Fi)

**4**

SwitchBoard

Specification

- 250A, 400A, & 630A Panel Board versions are available.
- 2 to 18 outgoing ways.
- Outgoing breaker's up to 250Amp MCCB.
- Ingress protection up to IP43 with standard IEC 60529.
- ASTA certificate fully Type-Tested to standard 61439-1,2 & 3.
- One piece tin-plated copper busbars with full Bracing.
- Flat removable gland plates make drilling and access easier.
- Metering options.
- Reliable & safe or Top & Bottom extension modules provide improved access for larger cables.
- Versatile solution, accommodating different size outgoing breakers to meet much application needs.
- Enhanced safety through fully shrouded incoming devices, to protect against contact with live parts.
- Blanking plates finger protect unused outgoing ways.
- Frequency 50/60Hz

Alpha Plus MCCB Distribution Boards Series (Fi Series) Three Phase 630 Amp

4

SwitchBoard



Combining robust high quality engineering with the latest international construction, testing and installations standard, Gi range of distribution boards has been design consultants, to meet the requirement of contractors, users and distributors.

Specification

- The 630 Amp assembly complies with IEC 61439-1,2 & 3.
- Type-tested to the latest standard complete with the full type-tests.
- Tested and rated at full load 630A with NO de-rating on the main busbar.
- Ingress protection up to IP43 standard to IEC 60529
- ASTA certified short circuit level of 35kA rms for 1 second and 25kA rms for 3 seconds.
- Flat removable gland plates make drilling and access easier.
- External and internal earthing points are provided.
- Simple busbar design with maximum reliability, available in outgoing ratings up to 225 Amps MCCBs.
- Generous cabling area throughout the range.
- 1.5 mm sheet steel thickness.
- Frequency 50/60Hz

Alpha Plus MCCB Distribution Boards Series (Gi Series) Three Phase 400 Amp



Combining robust high quality engineering with the latest international construction, testing and installations standard, Gi range of distribution boards has been design consultants, to meet the requirement of contractors, users and distributors.

Specification

- The 400 Amp assembly complies with IEC 61439-1,2 & 3.
- Type-tested to the latest standard complete with the full type-tests.
- Tested and rated at full load 400A with NO de-rating on the main busbar.
- Ingress protection up to IP43 standard to IEC 60529
- ASTA certified short circuit level of 35kA rms for 1 second and 25kA rms for 3 seconds.
- Flat removable gland plates make drilling and access easier.
- External and internal earthing points are provided.
- Simple busbar design with maximum reliability, available in outgoing ratings up to 225 Amps MCCBs.
- Generous cabling area throughout the range.
- 1.5 mm sheet steel thickness.
- Frequency 50/60Hz

Alpha Plus MCCB Distribution Boards Series (Ci Series) Three Phase 250 Amp

4

SwitchBoard



Combining robust high quality engineering with the latest international construction, testing and installations standard, Ci range of distribution boards has been design consultants, to meet the requirement of contractors, users and distributors.

Specification

- The 250 Amp assembly complies with IEC 61439-1,2 & 3.
- Type-tested to the latest standard complete with the full type-tests.
- Main busbar is tested and rate
- d at full load 250 Amp with No de-rating on the main busbar.
- Ingress protection up to IP43 standard to IEC 60529
- ASTA certified short circuit level of 35k A rms for 1 sec and 25kA for 3 sec.
- Flat removable gland plates make drilling and access easier.
- External and internal earthing points are provided.
- Simple busbar design with maximum reliability.
- Generous cabling area throughout the range.
- 1.5 mm sheet steel thickness.
- Frequency 50/60Hz

Alpha Plus Three Phase MCCB Distribution Boards Series (Ci,Gi,Fi)



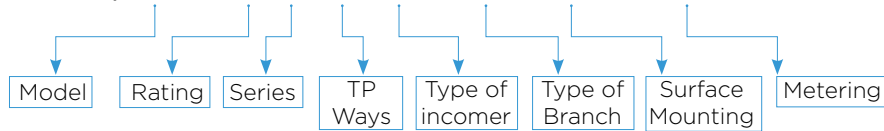
4

SwitchBoard

Catalogue Number and Selection Guide

Panelboards "Ci,Gi & Fi Series Outgoing max. 160Amps

Alpha Plus 250 Ci 4 / F - F / SM / M



Catalogue Number	Ref.No.	Outgoing ways TP	Dimension (mm)		
			Height A	Width B	Depth C
Surface Mounted					
Maximum outgoing branch MCCB 160A					
Alpha Plus 250Ci4/F-F/SM	W603610	4	1015	750	175
Alpha Plus 250Ci6/F-F/SM	W603611	6	1110	750	175
Alpha Plus 250Ci8/F-F/SM	W603612	8	1215	750	175
Alpha Plus 250Ci10/F-F/SM	W603613	10	1320	750	750 175
Alpha Plus 250Ci12/F-F/SM	W603614	12	1425	750	175
Alpha Plus 250Ci4/FIY -F/SM	W603615	4	1015	750	175
Alpha Plus 250Ci6/FIY -F/SM	W603616	6	1110	750	175
Alpha Plus 250Ci8/FIY -F/SM	W603617	8	1215	750	175
Alpha Plus 250Ci10/FIY -F/SM	W603618	10	1320	750	175
Alpha Plus 250Ci12/FIY -F/SM	W603619	12	1425	750	175
Alpha Plus 250Ci4/J-F/SM	W603620	4	1115	750	175
Alpha Plus 250Ci6/J-F/SM	W603621	6	1210	750	175
Alpha Plus 250Ci8/J-F/SM	W603622	8	1315	750	175
Alpha Plus 250Ci10/J-F/SM	W603623	10	1420	750	175
Alpha Plus 250Ci12/J-F/SM	W603624	12	1525	750	175
Alpha Plus 400Gi4/K-F/SM	W603625	4	1115	750	185
Alpha Plus 400Gi6/K-F/SM	W603626	6	1210	750	185
Alpha Plus 400Gi8/K-F/SM	W603627	8	1315	750	185
Alpha Plus 400Gi10/K-F/SM	W603628	10	1420	750	185
Alpha Plus 400Gi12/K-F/SM	W603629	12	1525	750	185
Alpha Plus 400Gi14/K-F/SM	W603630	14	1630	750	185
Alpha Plus 400Gi16/K-F/SM	W603631	16	1735	750	185

Alpha Plus Three Phase MCCB Distribution Boards Series (Ci,Gi,Fi)



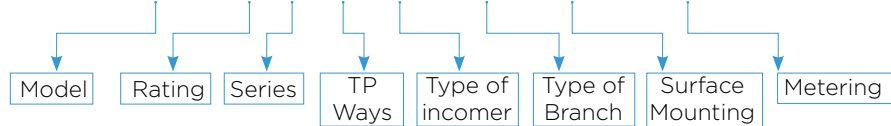
4

SwitchBoard

Catalogue Number and Selection Guide

Panelboards "Ci,Gi & Fi Series Outgoing max. 160Amps

Alpha Plus 630 Fi 4 / K - F / SM / M



Catalogue Number	Ref.No.	Outgoing ways TP	Dimension (mm)		
			Height A	Width B	Depth C
Surface Mounted					
Maximum outgoing branch MCCB 160A					
630Fi6/K-F/SM	W603632	6	1335	750	200
630Fi8/K-F/SM	W603633	8	1440	750	200
630Fi10/K-F/SM	W603634	10	1545	750	200
630Fi12/K-F/SM	W603635	12	1650	750	200
630Fi14/K-F/SM	W603636	14	1755	750	200
630Fi16/K-F/SM	W603637	16	1860	750	200
630Fi18/K-F/SM	W603638	18	2000	750	200

Alpha Plus Three Phase MCCB Distribution Boards Series (Ci,Gi,Fi)



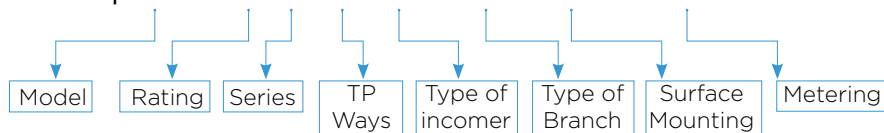
4

SwitchBoard

Catalogue Number and Selection Guide

Panelboards "Ci,Gi & Fi Series Outgoing max. 125Amps

Alpha Plus 250 Ci 4 / F - G / SM / M



Catalogue Number Surface Mounted	Ref.No.	Outgoing ways TP	Dimension (mm)		
			Height A	Width B	Depth C
Maximum outgoing branch MCCB 125A					
Alpha Plus 250Ci2/F-G/SM	W603575	2	720	650	175
Alpha Plus 250Ci4/F-G/SM	W603576	4	800	650	175
Alpha Plus 250Ci6/F-G/SM	W603577	6	900	650	175
Alpha Plus 250Ci8/F-G/SM	W603578	8	980	650	175
Alpha Plus 250Ci10/F-G/SM	W603579	10	1060	650	175
Alpha Plus 250Ci12/F-G/SM	W603580	12	1140	650	175
Alpha Plus 250Ci2/FIY-G/SM	W603581	2	720	650	175
Alpha Plus 250Ci4/FIY-G/SM	W603582	4	800	650	175
Alpha Plus 250Ci6/FIY-G/SM	W603583	6	900	650	175
Alpha Plus 250Ci8/FIY-G/SM	W603584	8	980	650	175
Alpha Plus 250Ci10/FIY-G/SM	W603585	10	1060	650	175
Alpha Plus 250Ci12/FIY-G/SM	W603586	12	1140	650	175
Alpha Plus 250Ci4/J-G/SM	W603587	4	1080	650	175
Alpha Plus 250Ci6/J-G/SM	W603588	6	1130	650	175
Alpha Plus 250Ci8/J-G/SM	W603589	8	1200	650	175
Alpha Plus 250Ci10/J-G/SM	W603590	10	1270	650	175
Alpha Plus 250Ci12/J-G/SM	W603591	12	1350	650	175
Alpha Plus 250Ci14/J-G/SM	W603592	14	1420	650	175
Alpha Plus 250Ci16/J-G/SM	W603593	16	1510	650	175
Alpha Plus 400Gi4/K-G/SM	W603594	4	1080	650	175
Alpha Plus 400Gi6/K-G/SM	W603595	6	1130	650	175
Alpha Plus 400Gi8/K-G/SM	W603596	8	1200	650	175
Alpha Plus 400Gi10/K-G/SM	W603597	10	1270	650	175
Alpha Plus 400Gi12/K-G/SM	W603598	12	1350	650	175
Alpha Plus 400Gi14/K-G/SM	W603599	14	1420	650	175
Alpha Plus 400Gi16/K-G/SM	W603600	16	1510	650	175
Alpha Plus 400Gi18/K-G/SM	W603601	18	1600	650	175

Alpha Plus Three Phase MCCB Distribution Boards Series (Ci,Gi,Fi)

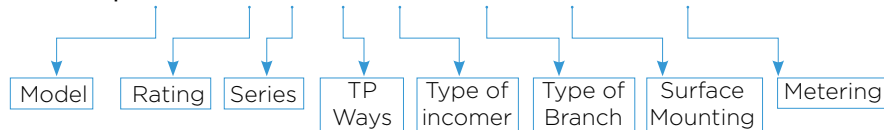


4
SwitchBoard

Catalogue Number and Selection Guide

Panelboards "Ci,Gi & Fi Series Outgoing max. 125Amps

Alpha Plus 630 Fi 4 / K - G / SM / M



Catalogue Number	Ref.No.	Outgoing ways TP	Dimension (mm)		
			Height A	Width B	Depth C
Surface Mounted					
Maximum outgoing branch MCCB 125A					
Alpha Plus 630Fi4/K-G/SM	W603602	4	1230	650	200
Alpha Plus 630Fi6/K-G/SM	W603603	6	1335	650	200
Alpha Plus 630Fi8/K-G/SM	W603604	8	1440	650	200
Alpha Plus 630Fi10/K-G/SM	W603605	10	1545	650	200
Alpha Plus 630Fi12/K-G/SM	W603606	12	1650	650	200
Alpha Plus 630Fi14/K-G/SM	W603607	14	1755	650	200
Alpha Plus 630Fi16/K-G/SM	W603608	16	1860	650	200
Alpha Plus 630Fi18/K-G/SM	W603609	18	2000	650	200

Alpha Plus Panel Distribution Boards Dimensions & Accessories Series (Ci,Gi,Fi)

- To be used for standard current rating and voltage Measurements.
- 3phase indication.
- Standard metering comprise: 1 Ammeter, 1 voltmeter, 4 Position & 7 Position selector switch
- 3 Indication Lamps.
- Removable front plate for direct access.
- Up to 96 x 96mm.

Blanking plates are used to cover any space ways

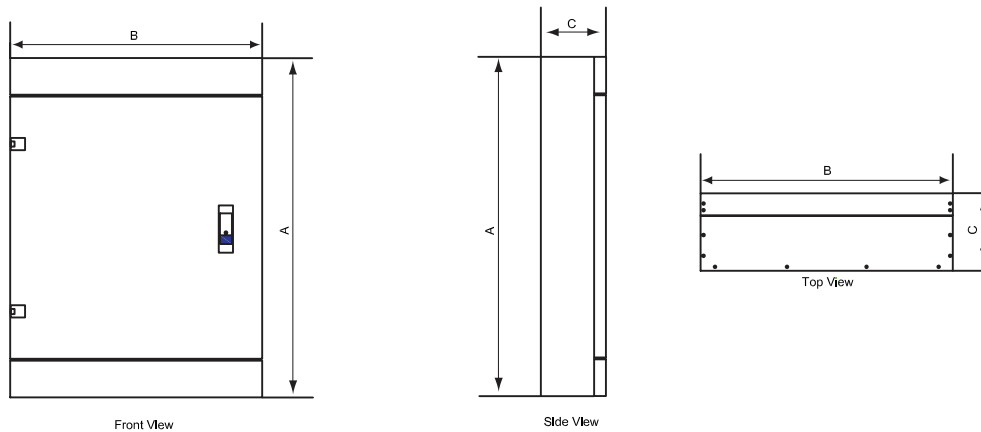
G breaker blank plate

Part No.	Ref. No.	Description
BPG	W603639	Blank plate for 1 pole G MCCB breaker

F breaker blank plate

Part No.	Ref. No.	Description
BPF	W603640	Blank plate for 1 pole F MCCB breaker

SMDB Type



Dimensions(mm)

Maximum cable / screw capacity	
Neutral bar	M6
Earth bar	M6
Main neutral terminal	M10
Main earth terminal	M10
"K" frame MCCB	35-300 mm ²
"J" frame MCCB	25-185 mm ²
"F" frame MCCB	16-150mm ²
"G" frame MCCB	3-95 mm ²

Alpha Plus Panel Distribution Boards Dimensions & Accessories Series (Ci,Gi,Fi)

Extension Boxes for MCCB FIY ,F, J, K, Incomer

- To be used for additional cable space.
- To be used for the installation of additional control, metering or power components.
- Epoxy polyester powder paint finish RAL 7032.
- 1.5mm sheet steel thickness.
- Easy to install.
- Removable front & bottom plate for direct access.
- Add "M" at the part number of standard metering is required.

4

Series Ci, Gi MCCB Panel Board Accessories

250Ci series panel board F, J, FIY incomer outgoing 125Amps.

Item	Model	Part No.	Height (mm)	Width (mm)	Depth (mm)
Metering kit	EXBCJG2	W603641	200	650	175
Extension box bottom & top	EXBCJG4	W603642	400	650	175
Extension box side	EXBCJG2.5	W603643	According to panel	250	175

400Gi series panel board K incomer outgoing 125Amps.

Item	Model	Part No.	Height (mm)	Width (mm)	Depth (mm)
Metering kit	EXBCKG2	W603644	200	650	175
Extension box bottom & top	EXBCKG4	W603645	400	650	175
Extension box side	EXBCKG2.5	W603646	According to panel	250	175

400Gi series panel board F, K incomer outgoing 225Amps.

Item	Model	Part No.	Height (mm)	Width (mm)	Depth (mm)
Metering kit	EXBCKJ2	W603647	200	750	185
Extension box bottom & top	EXBCKJ4	W603648	400	750	185
Extension box side	EXBCKJ2.5	W603649	According to panel	250	185

630Fi series panel board L incomer outgoing 225Amps.

Item	Model	Part No.	Height (mm)	Width (mm)	Depth (mm)
Metering kit	EXBF2	W603650	120	750	200
Extension box bottom & top	EXBF4	W603651	400	750	200
Extension box side	EXBF2.5	W603652	According to panel	250	185

Alpha Plus MCCB Distribution Boards Option's & Accessories



Side cable extension boxes and top / bottom cable extension



Analogue and digital meter packs



Door locking option

Alpha Plus Three Phase MCB Distribution Boards (Final DB) Bi Series

4

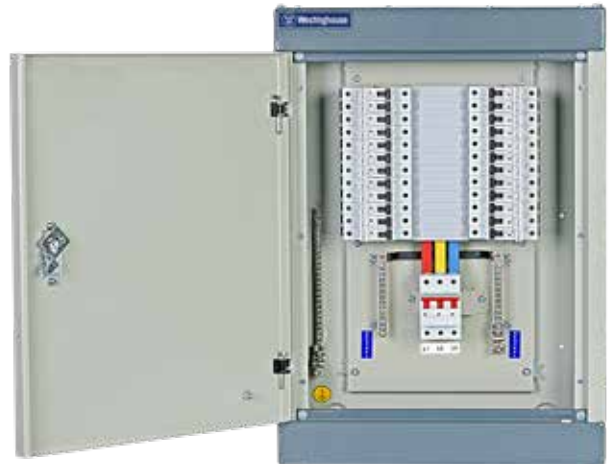
SwitchBoard



Combining robust high quality engineering with the latest international construction, test and installations standard, Westinghouse Bi range of distribution boards has been designed with advice from consultants, contractors, users and distributors.

- The 250 Amp max incomer final DB assembly complies with IEC 61439-1 & 2.
- ASTA certified fully type-tested to standard IEC 61439-1 & 2.
- Main busbar is tested and rated at full load 250 Amp.
- Ingress protection up to IP43 with standard to IEC 60529.
- High quality epoxy polyester powder paint finish in two-tone nishing.
- Flat removable gland plates make drilling and access easier
- The modular design allows for many combinations of incomers, allowing great customer choice increased stocking exibility.
- The wide range of incomer option includes:
 - MCB or RCCB up to 100 Amp.
 - Switch disconnector up to 125 Amp.
 - MCCB and Moulded Case Switches up to 250 Amp.
- External and internal earthing points are provided.
- Generous cabling area throughout the range.
- 1.5/1.2 mm sheet steel thickness.
- Frequency 50/60Hz

Alpha Plus Three Phase MCB Distribution Boards (Surface) Bi Series



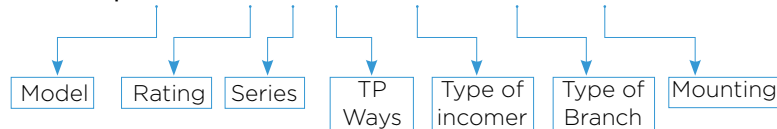
4

SwitchBoard

Catalogue Number and Selection Guide

Three phase MCB distribution board "Bi" series

Alpha Plus 125 Bi 4 / DIN - DIN - S



Catalogue Number	Ref.No.	Outgoing ways TP	Dimension (mm)		
			Height A	Width B	Depth C
Surface Mounted					
Incomer Type: MCB/ RCCB / Switch disconnecter - 125A Max Outgoing : DIN					
Alpha Plus 125Bi4 /DIN-DIN-F	W603428	4	520	430	120 ⁽¹⁾
Alpha Plus 125Bi6 /DIN-DIN-F	W603429	6	575	430	120
Alpha Plus 125Bi8 /DIN-DIN-F	W603430	8	635	430	120
Alpha Plus 125Bi10 /DIN-DIN-F	W603431	10	720	430	120
Alpha Plus 125Bi12 /DIN-DIN-F	W603432	12	805	430	120
Alpha Plus 125Bi14 /DIN-DIN-F	W603433	14	890	430	120
Alpha Plus 125Bi16 /DIN-DIN-F	W603434	16	975	430	120
Incomer Type: G MCCB - 125A Max Outgoing : DIN					
Alpha Plus 125Bi4 / G-DIN-F	W603435	4	520	430	120 ⁽¹⁾
Alpha Plus 125Bi6 / G-DIN-F	W603436	6	575	430	120
Alpha Plus 125Bi8 / G-DIN-F	W603437	8	635	430	120
Alpha Plus 125Bi10 / G-DIN-F	W603438	10	720	430	120
Alpha Plus 125Bi12 / G-DIN-F	W603439	12	805	430	120
Alpha Plus 125Bi14 / G-DIN-F	W603440	14	890	430	120
Alpha Plus 125Bi16 / G-DIN-F	W603441	16	975	430	120

(1) Option Depth 125mm

Alpha Plus Three Phase MCB Distribution Boards (Surface) Bi Series

Catalogue Number	Ref.No.	Outgoing ways TP	Dimension (mm)		
			Height A	Width B	Depth C
Surface Mounted					
Incomer Type: F MCCB - 160A Max Outgoing : DIN					
Alpha Plus 160Bi4 / F-DIN-S	W603414	4	645	430	125 ⁽¹⁾
Alpha Plus 160Bi6 / F-DIN-S	W603415	6	700	430	125
Alpha Plus 160Bi8 / F-DIN-S	W603416	8	735	430	125
Alpha Plus 160Bi10 / F-DIN-S	W603417	10	820	430	125
Alpha Plus 160Bi12 / F-DIN-S	W603418	12	905	430	125
Alpha Plus 160Bi14 / F-DIN-S	W603419	14	990	430	125
Alpha Plus 160Bi16 / F-DIN-S	W603420	16	1075	430	125
Incomer Type: J MCCB - 250A Max Outgoing : DIN					
Alpha Plus 250Bi4 / J-DIN-S	W603421	4	645	430	125 ⁽¹⁾
Alpha Plus 250Bi6 / J-DIN-S	W603422	6	700	430	125
Alpha Plus 250Bi8 / J-DIN-S	W603423	8	735	430	125
Alpha Plus 250Bi10 / J-DIN-S	W603424	10	820	430	125
Alpha Plus 250Bi12 / J-DIN-S	W603425	12	905	430	125
Alpha Plus 250Bi14 / J-DIN-S	W603426	14	990	430	125
Alpha Plus 250Bi16 / J-DIN-S	W603427	16	1075	430	125

4

SwitchBoard

(1) Option Depth 135mm

Alpha Plus Three Phase MCB Distribution Boards (Flush) Bi Series



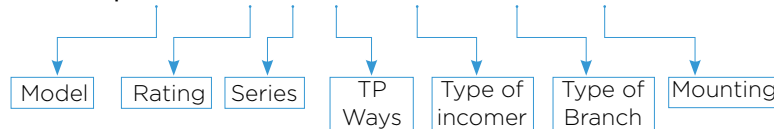
4

SwitchBoard

Catalogue Number and Selection Guide

Three phase MCB distribution board "Bi" series

Alpha Plus 125 Bi 4 / DIN - DIN - F



Catalogue Number Flush Mounted	Ref.No.	Outgoing ways TP	Board dimension (mm)			Flush cover dimension(mm)	
			Height A	Width B	Depth C	Height D	Width E
Incomer Type: MCB/ RCCB / Switch disconnector- 125A Max Outgoing : DIN							
Alpha Plus 125Bi4 /DIN-DIN-S	W603428	4	520	430 ⁽²⁾	105 ⁽¹⁾	545	455
Alpha Plus 125Bi6 /DIN-DIN-S	W603429	6	575	430	105	600	455
Alpha Plus 125Bi8 /DIN-DIN-S	W603430	8	635	430	105	660	455
Alpha Plus 125Bi10 /DIN-DIN-S	W603431	10	720	430	105	745	455
Alpha Plus 125Bi12 /DIN-DIN-S	W603432	12	805	430	105	830	455
Alpha Plus 125Bi14 /DIN-DIN-S	W603433	14	890	430	105	915	455
Alpha Plus 125Bi16 /DIN-DIN-S	W603434	16	975	430	105	1000	455
Incomer Type: G MCCB - 125A Max Outgoing : DIN							
Alpha Plus 125Bi4 / G-DIN-S	W603435	4	520	430 ⁽²⁾	105 ⁽¹⁾	545	455
Alpha Plus 125Bi6 / G-DIN-S	W603436	6	575	430	105	600	455
Alpha Plus 125Bi8 / G-DIN-S	W603437	8	635	430	105	660	455
Alpha Plus 125Bi10 / G-DIN-S	W603438	10	720	430	105	745	455
Alpha Plus 125Bi12 / G-DIN-S	W603439	12	805	430	105	830	455
Alpha Plus 125Bi14 / G-DIN-S	W603440	14	890	430	105	915	455
Alpha Plus 125Bi16 / G-DIN-S	W603441	16	975	430	105	1000	455

(1) Option Depth 120mm

(2) Option Width 400mm

Alpha Plus Three Phase MCB Distribution Boards (Flush) Bi Series

Catalogue Number Flush Mounted	Ref.No.	Outgoing ways TP	Board dimension (mm)			Flush cover dimension(mm)	
			Height A	Width B	Depth C	Height D	Width E
Incomer: F -160A v Outgoing: DIN							
Alpha Plus 160Bi4 / F-DIN-F	W603442	4	645	430 ⁽²⁾	120 ⁽¹⁾	670	455
Alpha Plus 160Bi6 / F-DIN-F	W603443	6	700	430	120	725	455
Alpha Plus 160Bi8 / F-DIN-F	W603444	8	735	430	120	760	455
Alpha Plus 160Bi10 / F-DIN-F	W603445	10	820	430	120	845	455
Alpha Plus 160Bi12 / F-DIN-F	W603446	12	905	430	120	930	455
Alpha Plus 160Bi14 / F-DIN-F	W603447	14	990	430	120	1015	455
Alpha Plus 160Bi16 / F-DIN-F	W603448	16	1075	430	120	1100	455
Incomer: J MCCB-250A maximum Outgoing: DIN							
Alpha Plus 250Bi4 / J-DIN-F	W603449	4	645	430 ⁽²⁾	120 ⁽¹⁾	670	455
Alpha Plus 250Bi6 / J-DIN-F	W603450	6	700	430	120	725	455
Alpha Plus 250Bi8 / J-DIN-F	W603451	8	735	430	120	760	455
Alpha Plus 250Bi10 / J-DIN-F	W603452	10	820	430	120	845	455
Alpha Plus 250Bi12 / J-DIN-F	W603453	12	905	430	120	930	455
Alpha Plus 250Bi14 / J-DIN-F	W603454	14	990	430	120	1015	455
Alpha Plus 250Bi16 / J-DIN-F	W603455	16	1075	430	120	1100	455

4

SwitchBoard

(1) Option Depth 120mm

(2) Option Width 400mm

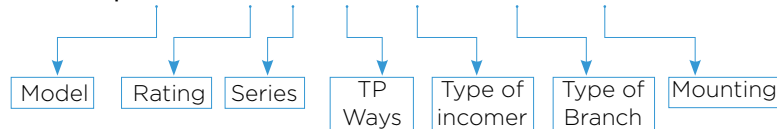
Alpha Plus Three Phase MCB Distribution Boards (Surface Plug-in) PQ Series



Catalogue Number and Selection Guide

Three phase MCB distribution board "PQ" series Plug-in

Alpha Plus 125 PQ 3 / DIN - P - S



Catalogue Number	Ref.No.	Outgoing ways TP	Board dimension (mm)		
			Height A	Width B	Depth C
Flush Mounted					
Incomer types: MCB/RCCB/Switch disconnecter-125A maximum Outgoing: PQ					
Alpha Plus 125PQ312DIN-P-S	W603456	4	520	430 ⁽²⁾	105 ⁽¹⁾
Alpha Plus 125PQ318DIN-P-S	W603457	6	595	430	105
Alpha Plus 125PQ324DIN-P-S	W603458	8	675	430	105
Alpha Plus 125PQ330DIN-P-S	W603459	10	820	430	105
Alpha Plus 125PQ336DIN-P-S	W603460	12	900	430	105
Alpha Plus 125PQ342DIN-P-S	W603461	14	1000	430	105
Alpha Plus 125PQ348DIN-P-S	W603462	16	1100	430	105
Incomer: G MCCB-125A maximum Outgoing: PQ					
Alpha Plus 125PQ312G-P-S	W603463	4	520	430 ⁽²⁾	105 ⁽¹⁾
Alpha Plus 125PQ318G-P-S	W603464	6	595	430	105
Alpha Plus 125PQ324G-P-S	W603465	8	675	430	105
Alpha Plus 125PQ330G-P-S	W603466	10	755	430	105
Alpha Plus 125PQ336G-P-S	W603467	12	900	430	105
Alpha Plus 125PQ342G-P-S	W603468	14	1000	430	105
Alpha Plus 125PQ348G-P-S	W603469	16	1100	430	105

(1) Option Depth 120mm

(2) Option Width 400mm

Alpha Plus Three Phase MCB Distribution Boards (Surface Plug-in) PQ Series

4

SwitchBoard

Catalogue Number Surface Mounted	Ref.No.	Outgoing ways TP	Dimension (mm)		
			Height A	Width B	Depth C
Incomer: F MCCB-160A maximum Outgoing: PQ					
Alpha Plus 160PQ312F-P-S	W603470	4	585	430	120 ⁽¹⁾
Alpha Plus 160PQ318F-P-S	W603471	6	650	430	120
Alpha Plus 160PQ324F-P-S	W603472	8	735	430	120
Alpha Plus 160PQ336F-P-S	W603473	10	850	430	120
Alpha Plus 160PQ330F-P-S	W603474	12	965	430	120
Alpha Plus 160PQ342F-P-S	W603475	14	1065	430	120
Alpha Plus 160PQ348F-P-S	W603476	16	1165	430	120
Incomer Type: J MCCB - 250A maximum Outgoing : PQ					
Alpha Plus 250PQ312F-P-S	W603477	4	585	430	120 ⁽¹⁾
Alpha Plus 250PQ318F-P-S	W603478	6	650	430	120
Alpha Plus 250PQ324F-P-S	W603479	8	735	430	120
Alpha Plus 250PQ336F-P-S	W603480	10	850	430	120
Alpha Plus 250PQ330F-P-S	W603481	12	965	430	120
Alpha Plus 250PQ342F-P-S	W603482	14	1065	430	120
Alpha Plus 250PQ348F-P-S	W603483	16	1165	430	120

(1) Option Depth 125mm

(2) Option Width 400mm

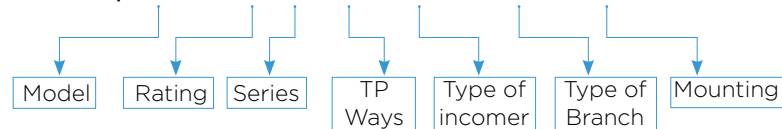
Alpha Plus Three Phase MCB Distribution Boards (Flush Plug-in) PQ Series



Catalogue Number and Selection Guide

Three phase MCB distribution board "PQ" series Plug-in

Alpha Plus 125 PQ 3 / DIN - P - F



Catalogue Number Flush Mounted	Ref.No.	Outgoing ways TP	Board dimension (mm)			Flush cover dimension(mm)	
			Height A	Width B	Depth C	Height D	Width E
Incomer Type: MCB/ RCCB / Switch disconnecter- 125A Max Outgoing : PQ							
Alpha Plus 125PQ312DIN-P-F	W603484	4	520	430 ⁽²⁾	105 ⁽¹⁾	545	455
Alpha Plus 125PQ318DIN-P-F	W603485	6	595	430	105	620	455
Alpha Plus 125PQ324DIN-P-F	W603486	8	675	430	105	700	455
Alpha Plus 125PQ330DIN-P-F	W603487	10	820	430	105	845	455
Alpha Plus 125PQ336DIN-P-F	W603488	12	900	430	105	925	455
Alpha Plus 125PQ342DIN-P-F	W603489	14	1000	430	105	1025	455
Alpha Plus 125PQ348DIN-P-F	W603490	16	1100	430	105	1125	455
Incomer Type: G MCCB - 125A Max Outgoing : PQ							
Alpha Plus 125PQ312G-P-F	W603491	4	520	430 ⁽²⁾	105 ⁽¹⁾	545	455
Alpha Plus 125PQ318G-P-F	W603492	6	595	430	105	620	455
Alpha Plus 125PQ324G-P-F	W603493	8	675	430	105	700	455
Alpha Plus 125PQ330G-P-F	W603494	10	755	430	105	845	455
Alpha Plus 125PQ336G-P-F	W603495	12	900	430	105	925	455
Alpha Plus 125PQ342G-P-F	W603496	14	1000	430	105	1025	455
Alpha Plus 125PQ348G-P-F	W603497	16	1100	430	105	1125	455

(1) Option Depth 120mm

(2) Option Width 400mm

Alpha Plus Three Phase MCB Distribution Boards (Flush Plug-in) PQ Series

Catalogue Number	Ref.No.	Outgoing ways TP	Board dimension (mm)			Flush cover dimension(mm)	
			Height A	Width B	Depth C	Height D	Width E
Flush Mounted							
Incomer: F-Frame MCCB - 160 maximum Outgoing: PQ							
Alpha Plus 160PQ312F-P-F	W603498	4	585	430 ⁽²⁾	120 ⁽¹⁾	610	455
Alpha Plus 160PQ318F-P-F	W603499	6	650	430	120	685	455
Alpha Plus 160PQ324F-P-F	W603500	8	735	430	120	765	455
Alpha Plus 160PQ336F-P-F	W603501	10	850	430	120	875	455
Alpha Plus 160PQ330F-P-F	W603502	12	965	430	120	990	455
Alpha Plus 160PQ342F-P-F	W603503	14	1065	430	120	1090	455
Alpha Plus 160PQ348F-P-F	W603504	16	1165	430	120	1190	455
Incomer: J-Frame MCCB - 250 maximum Outgoing: PQ							
Alpha Plus 250PQ312F-P-F	W603505	4	585	430 ⁽²⁾	120 ⁽¹⁾	610	455
Alpha Plus 250PQ318F-P-F	W603506	6	650	430	120	685	455
Alpha Plus 250PQ324F-P-F	W603507	8	735	430	120	765	455
Alpha Plus 250PQ336F-P-F	W603508	10	850	430	120	875	455
Alpha Plus 250PQ330F-P-F	W603509	12	965	430	120	990	455
Alpha Plus 250PQ342F-P-F	W603510	14	1065	430	120	1090	455
Alpha Plus 250PQ348F-P-F	W603511	16	1165	430	120	1190	455

(1) Option Depth 120mm

(2) Option Width 400mm

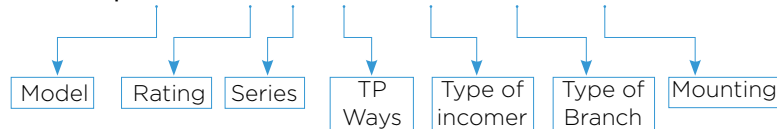
Alpha Plus Three Phase MCB Distribution Boards (Split Surface) Bi Series



Catalogue Number and Selection Guide

Split busbar three phase distribution board "Bi" series

Alpha Plus 100 Bi 2+4 / DIN - DIN - S



Catalogue Number Surface Mounted	Ref.No.	Outgoing ways TP	Dimension (mm)		
			Height A	Width B	Depth C
Incomer types: MCB/RCCB/Switch disconnecter-100A maximum-each split Branch breakers: DIN					
Alpha Plus 100Bi- 2+2 /DIN-DIN-S	W603512	2+2	510	430 ⁽²⁾	120 ⁽¹⁾
Alpha Plus 100Bi- 2+4 /DIN-DIN-S	W603513	2+4	565	430	120
Alpha Plus 100Bi- 4+4 /DIN-DIN-S	W603514	4+4	620	430	120
Alpha Plus 100Bi- 2+6 /DIN-DIN-S	W603515	2+6	620	430	120
Alpha Plus 100Bi- 4+6 /DIN-DIN-S	W603516	4+6	675	430	120
Alpha Plus 100Bi- 6+6 /DIN-DIN-S	W603517	6+6	730	430	120
Alpha Plus 100Bi- 2+8 /DIN-DIN-S	W603518	2+8	675	430	120
Alpha Plus 100Bi- 4+8 /DIN-DIN-S	W603519	4+8	730	430	120 ⁽¹⁾
Alpha Plus 100Bi- 6+8 /DIN-DIN-S	W603520	6+8	785	430	120
Alpha Plus 100Bi- 8+8 /DIN-DIN-S	W603521	8+8	840	430	120
Alpha Plus 100Bi- 2+10 /DIN-DIN-S	W603522	2+10	730	430	120
Alpha Plus 100Bi- 4+10 /DIN-DIN-S	W603523	4+10	785	430	120
Alpha Plus 100Bi- 6+10 /DIN-DIN-S	W603524	6+10	840	430	120
Alpha Plus 100Bi- 8+10 /DIN-DIN-S	W603525	8+10	895	430	120
Alpha Plus 100Bi- 10+10 /DIN-DIN-S	W603526	10+10	950	430	120
Alpha Plus 100Bi- 2+12 /DIN-DIN-S	W603527	2+12	785	430	120
Alpha Plus 100Bi- 4+12 /DIN-DIN-S	W603528	4+12	840	430	120
Alpha Plus 100Bi- 6+12 /DIN-DIN-S	W603529	6+12	895	430	120

(1) Option Depth 105mm (2) Option Width 400mm

Alpha Plus Three Phase MCB Distribution Boards (Split Surface) Bi Series

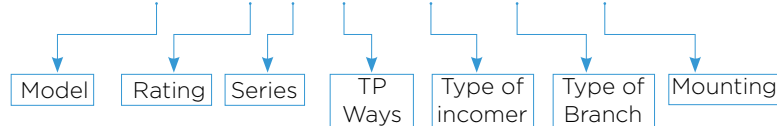
4
SwitchBoard



Catalogue Number and Selection Guide

Split busbar three phase distribution board "Bi" series

Alpha Plus 100 Bi 2+4 / DIN - DIN - F



Catalogue Number Flush Mounted	Ref.No.	Outgoing ways TP	Board dimension (mm)			Flush cover dimension (mm)	
			Height A	Width B	Depth C	Height D	Width E
Incomer types: MCB/RCCB/Switch disconnector-100A maximum-each split Branch breakers: DIN							
Alpha Plus 100Bi- 2+2 /DIN-DIN-F	W603530	2+2	510	430 ⁽¹⁾	105 ⁽¹⁾	535	455
Alpha Plus 100Bi- 2+4 /DIN-DIN-F	W603531	2+4	565	430	105	590	455
Alpha Plus 100Bi- 4+4 /DIN-DIN-F	W603532	4+4	620	430	105	645	455
Alpha Plus 100Bi- 2+6 /DIN-DIN-F	W603533	2+6	620	430	105	645	455
Alpha Plus 100Bi- 4+6 /DIN-DIN-F	W603534	4+6	675	430	105	700	455
Alpha Plus 100Bi- 6+6 /DIN-DIN-F	W603535	6+6	730	430	105	755	455
Alpha Plus 100Bi- 2+8 /DIN-DIN-F	W603536	2+8	675	430	105	700	455
Alpha Plus 100Bi- 4+8 /DIN-DIN-F	W603537	4+8	730	430	105 ⁽¹⁾	755	455
Alpha Plus 100Bi- 6+8 /DIN-DIN-F	W603538	6+8	785	430	105	810	455
Alpha Plus 100Bi- 8+8 /DIN-DIN-F	W603539	8+8	840	430	105	865	455
Alpha Plus 100Bi- 2+10 /DIN-DIN-F	W603540	2+10	730	430	105	755	455
Alpha Plus 100Bi- 4+10 /DIN-DIN-F	W603541	4+10	785	430	105	810	455
Alpha Plus 100Bi- 6+10 /DIN-DIN-F	W603542	6+10	840	430	105	865	455
Alpha Plus 100Bi- 8+10 /DIN-DIN-F	W603543	8+10	895	430	105	920	455
Alpha Plus 100Bi- 10+10 /DIN-DIN-F	W603544	10+10	950	430	105	975	455
Alpha Plus 100Bi- 2+12 /DIN-DIN-F	W603545	2+12	785	430	105	810	455
Alpha Plus 100Bi- 4+12 /DIN-DIN-F	W603546	4+12	840	430	105	865	455
Alpha Plus 100Bi- 6+12 /DIN-DIN-F	W603547	6+12	895	430	105	920	455

(1) Option Depth 105mm (2) Option Width 400mm

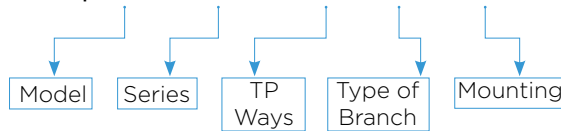
Alpha Plus Three Phase MCB Distribution Boards (Split Surface & Flush Plug-in) PQ Series



Catalogue Number and Selection Guide

Split busbar three phase distribution board "PQ" series

Alpha Plus PQJP 312 / DIN - S



Catalogue Number	Ref.No.	Outgoing ways TP	Dimension (mm)		
Surface Mounted			Height A	Width B	Depth C
Incomer types: MCB/RCCB/Switch disconnector-100A maximum-each split Branch breakers: DIN					
Alpha Plus PQJP312+06DIN-S	W603548	4+2	761	430 ⁽²⁾	105 ⁽¹⁾
Alpha Plus PQJP312+12DIN-S	W603549	4+4	837	430	105
Alpha Plus PQJP312+18DIN-S	W603550	4+6	913	430	105
Alpha Plus PQJP318+24DIN-S	W603551	6+8	989	430	105
Alpha Plus PQJP318+06DIN-S	W603552	6+2	837	430	105
Alpha Plus PQJP318+12DIN-S	W603553	6+4	913	430	105
Alpha Plus PQJP318+18DIN-S	W603554	6+6	989	430	105
Alpha Plus PQJP330+12DIN-S	W603555	10+4	1065	430	105
Alpha Plus PQJP336+12DIN-S	W603556	12+4	1141	430	105

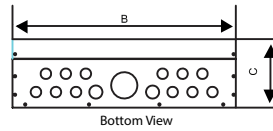
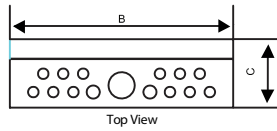
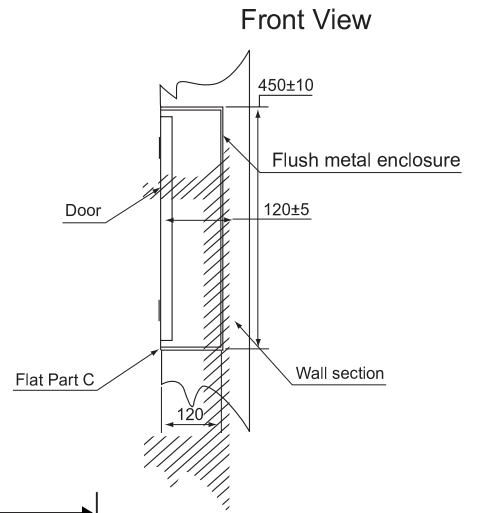
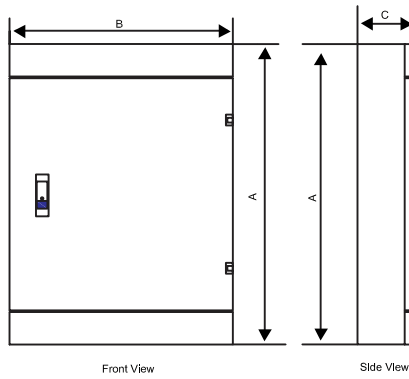
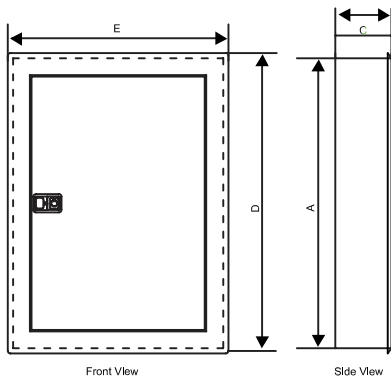
Catalogue Number	Ref.No.	Outgoing ways TP	Board dimension (mm)			Flush cover dimension(mm)	
Flush Mounted			Height A	Width B	Depth C	Height A	Width B
Incomer types: MCB/RCCB/Switch disconnector-100A maximum-each split Branch breakers: DIN							
Alpha Plus PQJP312+06DIN-F	W603557	4+2	761	430 ⁽²⁾	105 ⁽¹⁾	786	455
Alpha Plus PQJP312+12DIN-F	W603558	4+4	837	430	105	862	455
Alpha Plus PQJP312+18DIN-F	W603559	4+6	913	430	105	938	455
Alpha Plus PQJP318+24DIN-F	W603560	6+8	989	430	105	1014	455
Alpha Plus PQJP318+06DIN-F	W603561	6+2	837	430	105	862	455
Alpha Plus PQJP318+12DIN-F	W603562	6+4	913	430	105	938	455
Alpha Plus PQJP318+18DIN-F	W603563	6+6	989	430	105	1014	455
Alpha Plus PQJP330+12DIN-F	W603564	10+4	1065	430	105	1090	455
Alpha Plus PQJP336+12DIN-F	W603565	12+4	1141	430	105	1166	455

(1) Option Depth 120mm (2) Option Width 400mm

Alpha Plus Three Phase MCB Distribution Boards Accessories

Flush Type

Surface Type



Dimensions(mm)

Maximum cable capacity Incomer and feeders	
Neutral bar	10 mm ²
Earth bar	10 mm ²
MCB	25 mm ²
RCD	63Amp-25mm ² · 80 & 100AMP 50 mm ²
RCBO	16 mm ²
Switch disconnectors	125A - 35 mm ²
Direct cable	Without incomer kit 35 mm ²
	With incomer kit 150 mm ²
G & F Frame MCCB	
Without external box	100Amp-2.5 to 50 mm ² , 225Amp-25 to 70 mm ²
Without external box	100Amp-95 mm ²
J Frame MCCB	
Without external box	25 to 70 mm ²
Without external box	25 to 185 mm ²

Alpha Plus Three Phase MCB Distribution Boards Accessories

- To be used for additional cable space.
- To be used for the installation of additional control, metering or power components.
- 1.2mm sheet steel thickness.
- Epoxy powder paint
- finish RAL 7032.
- Easy to install.
- Removable front & bottom plate for direct access.

4

Extension Boxes for MCB/RCCB (Top & Bottom)

Part No.	Ref. No.	Height (mm)	Width (mm)	Depth (mm)
CEXB105/200	W603566	20	430	105
CEXB105/400	W603567	0	430	105
CEXB120/200	W603568	400	430	120
CEXB120/400	W603569	200	430	120

Extension Boxes for MCCB (Top & Bottom)

Part No.	Ref. No.	Height (mm)	Width (mm)	Depth (mm)
CEXB135/200	W603570	200	430	135
CEXB135/400	W603571	400	430	135

Blanking Plates Accessories

Blanking plates are used to cover any space

Part No.	Ref. No.	Description
CBPMTCB	W603572	Blank plate for 1 pole MCB breakers
CBPG	W603573	Blank plate for MCCB (G) breakers
CBPF	W603574	Blank plate for MCCB (F) breakers

SwitchBoard

Alpha Plus Row Type Distribution Board

4

SwitchBoard



Combining robust high quality engineering with the latest international construction, testing and installations standard, Row Type range of distribution boards has been design to meet the requirement of consultants, contractors, users and distributors.

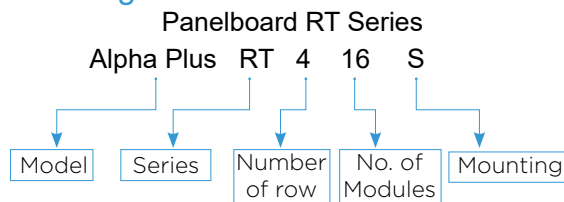
Specification

- Compact modular design.
- Easy to install and safe for end- user.
- High quality and corrosion resistant.
- To be used for DIN rail power control components.
- 1.2mm sheet thickness
- Epoxy polyester powder paint finish RAL 7032.
- Cover door is supplied by lock for more safety.
- Surface and flush mounted design.
- The degree of protection IP41 as per IEC 529 and NEMA.
- The row capacity is 16 modules or 24 modules as option.
- Suitable for housing and industrial and commercial application
- Frequency 50/60Hz

Alpha Plus Row Type Distribution Board



Catalogue Number and Selection Guide



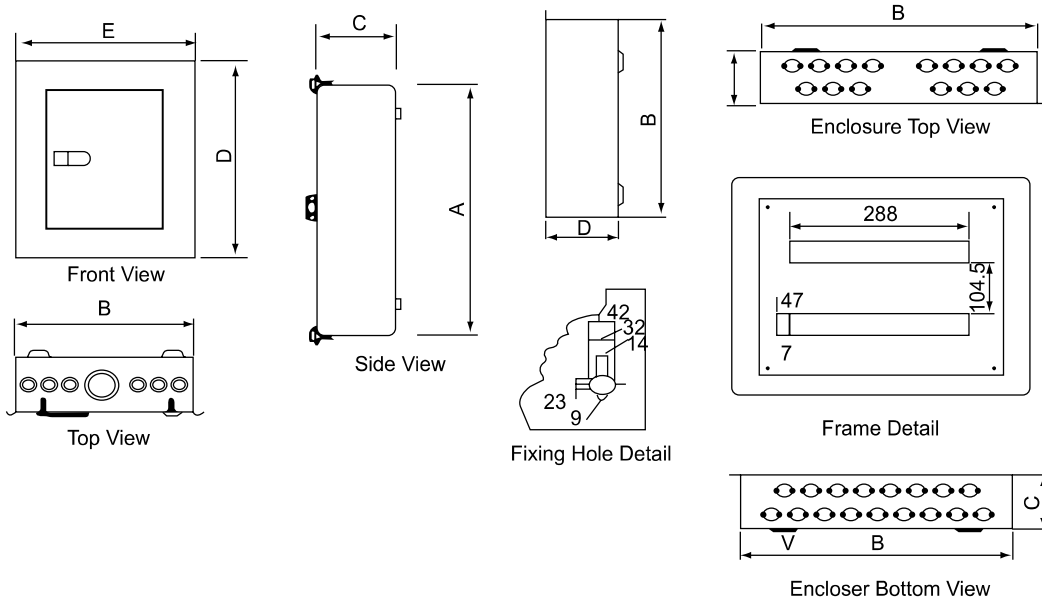
Catalogue Number	Ref.No.	Description		Dimension (mm)		
		Row	Modules	Height A	Width B	Depth C
RT series surface mounted						
Alpha Plus RT116S	W603677	1	16	270	450	110
Alpha Plus RT216S	W603678	2	16	420	450	110
Alpha Plus RT316S	W603679	3	16	570	450	110
Alpha Plus RT416S	W603680	4	16	720	450	110
Alpha Plus RT516S	W603681	5	16	870	450	110
Alpha Plus RT616S	W603682	6	16	1020	450	110
Alpha Plus RT324S	W603683	3	24	570	594	110
Alpha Plus RT424S	W603684	4	24	720	594	110
Alpha Plus RT524S	W603685	5	24	870	594	110
Alpha Plus RT624S	W603686	6	24	1020	594	110

Catalogue Number	Ref.No.	Description		Dimension (mm)				
		Row	Modules	Height A	Width B	Depth C	Height D	Width E
RT series Flush mounted								
Alpha Plus RT116F	W603687	1	16	270	450	110	1040	470
Alpha Plus RT216F	W603688	2	16	420	450	110	290	470
Alpha Plus RT316F	W603689	3	16	570	450	110	440	470
Alpha Plus RT416F	W603690	4	16	720	450	110	590	470
Alpha Plus RT516F	W603691	5	16	870	450	110	740	470
Alpha Plus RT616F	W603692	6	16	1020	450	110	890	470
Alpha Plus RT324F	W603693	3	24	570	594	110	590	614
Alpha Plus RT424F	W603694	4	24	720	594	110	740	614
Alpha Plus RT524F	W603695	5	24	870	594	110	890	614
Alpha Plus RT624F	W603696	6	24	1020	594	110	1040	614

Alpha Plus Row Type Distribution Board

4

SwitchBoard

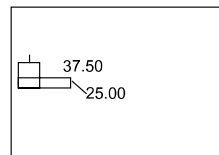


Key Door Lock

Westinghouse distribution board is provided with the possibility of equipping its door with a security lock



Door Latch
Ref.No. W603697



Door



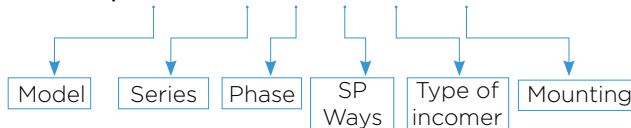
Steel Lock
Ref.No. W603698

Alpha Plus Single Phase Distribution Boards Plug-in Type



Catalogue Number and Selection Guide Single Phase Distribution Boards Plug-in Type

Alpha Plus CO J 04 J - F



Catalogue Number Flush Mounted	Ref.No.	Outgoing ways SP	Board dimension (mm)			Flush cover dimension(mm)	
			Height A	Width B	Depth C	Height A	Width B
Incomer types: DIN Outgoing: Plug-In Type							
Alpha Plus COJ104-J-F	W603653	4	260	230	90	435	255
Alpha Plus COJ106-J-F	W603654	6	310	230	90	285	255
Alpha Plus COJ108-J-F	W603655	8	360	230	90	335	255
Alpha Plus COJ110-J-F	W603656	10	410	230	90	385	255
Alpha Plus COJ102-J-F	W603657	12	465	230	90	490	255
Alpha Plus COJ114-J-F	W603658	14	515	230	90	540	255

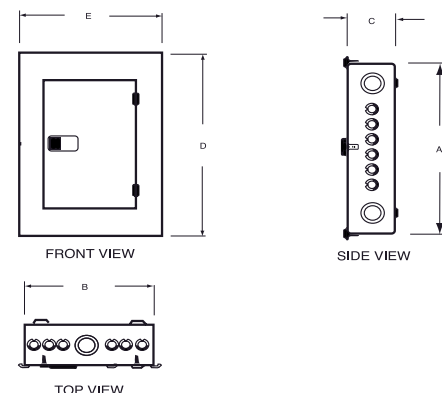
Catalogue Number Surface Mounted	Ref.No.	Outgoing ways SP	Dimension (mm)		
			Height A	Width B	Depth C
Incomer types: DIN Outgoing: Plug-In Type					
Alpha Plus COJ104-J-S	W603659	4	260	230	90
Alpha Plus COJ106-J-S	W603660	6	310	230	90
Alpha Plus COJ108-J-S	W603661	8	360	230	90
Alpha Plus COJ110-J-S	W603662	10	410	230	90
Alpha Plus COJ112-J-S	W603663	12	465	230	90
Alpha Plus COJ114-J-S	W603664	14	515	230	90

* Note : D & E Dimension are used for Flush only.

Dimensions(mm)

Maximum cable capacity	
Neutral bar	10 mm ²
Earth bar	10 mm ²
Main earth termination	16 mm ² Terminal
MCB	25 mm ²
RCD	63Amp-25mm ² · 80 & 100AMP 50 mm ²
RCBO	16 mm ²
Switch disconnectors	125A - 35 mm ²

The incomer can be DIN, RCD, or Plug-in



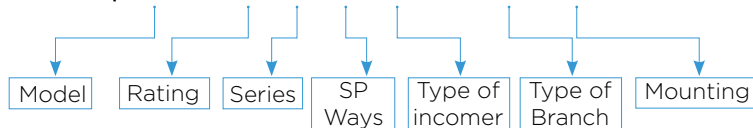
Alpha Plus Single Phase Distribution Boards Din Rail Type



4
SwitchBoard

Catalogue Number and Selection Guide Single Phase Distribution Boards Din Rail Type

Alpha Plus 100 A 6 / DIN - DIN - F



Catalogue Number Flush Mounted	Ref.No.	Outgoing ways SP	Board dimension (mm)			Flush cover dimension(mm)	
			Height A	Width B	Depth C	Height A	Width B
Incomer types: DIN 100A Outgoing: DIN Type							
Alpha Plus 100 A 4/DIN-DIN-F	W603665	4	230	233	90	290	300
Alpha Plus 100 A 6/DIN-DIN-F	W603666	6	265	233	90	325	300
Alpha Plus 100 A 8/DIN-DIN-F	W603667	8	300	233	90	360	300
Alpha Plus 100 A 10/DIN-DIN-F	W603668	10	335	233	90	400	300
Alpha Plus 100 A 14/DIN-DIN-F	W603669	12	375	233	90	255	300
Alpha Plus 100 A 12/DIN-DIN-F	W603670	14	410	233	90	435	300

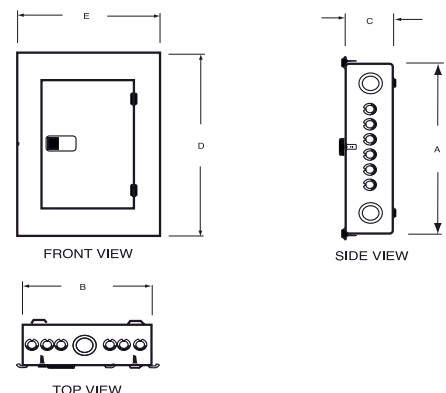
Catalogue Number Surface Mounted	Ref.No.	Outgoing ways SP	Dimension (mm)		
			Height A	Width B	Depth C
Incomer types: DIN 100A Outgoing: DIN Type					
Alpha Plus 100 A 4/DIN-DIN-S	W603671	4	230	270	90
Alpha Plus 100 A 14/DIN-DIN-S	W603672	6	265	270	90
Alpha Plus 100 A 6/DIN-DIN-S	W603673	8	300	270	90
Alpha Plus 100 A 8/DIN-DIN-S	W603674	10	335	270	90
Alpha Plus 100 A 10/DIN-DIN-S	W603675	12	375	270	90
Alpha Plus 100 A 12/DIN-DIN-S	W603676	14	410	270	90

* Note : D & E Dimension are used for Flush only.

Dimensions(mm)

Maximum cable capacity	
Neutral bar	10 mm ²
Earth bar	10 mm ²
Main earth termination	16 mm ² Terminal
MCB	25 mm ²
RCD	63Amp-25mm ² · 80 & 100AMP 50 mm ²
RCBO	16 mm ²
Switch disconnectors	125A - 35 mm ²

The incomer can be DIN or RCD



Alpha Plus Enclosures for MCCB

F-Frame Breaker
 380/415 Volts. 600Volts Ac Max.
 16-160 Amps.

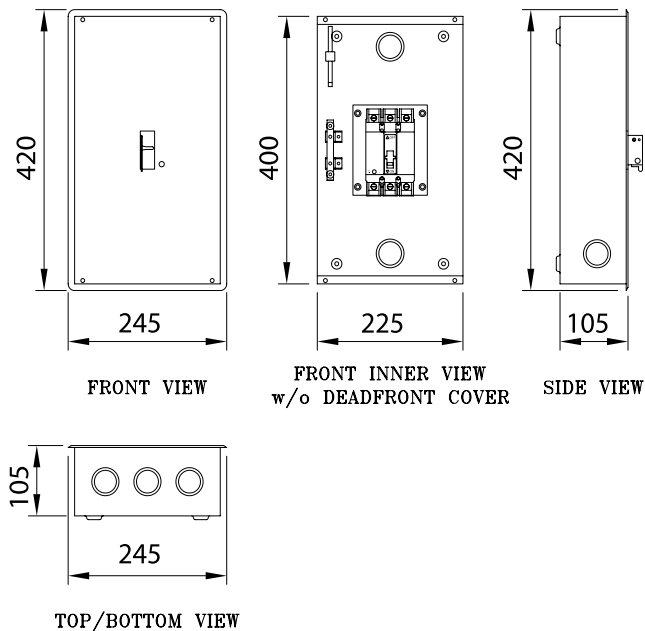
Branch	Ref No.	Height (mm)	Width (mm)	Depth (mm)
G	W603699	335	192	96
F	W603700	338	195	96

4

SwitchBoard



G-Frame Breaker
 380/415 Volts. 600Volts Ac Max.
 16-125 Amps.





Worldwide



OUR PROMISE

Westinghouse is built upon a tradition of dependability and innovation.

Today, we strive to make everyday life a little better by offering a wide range of quality products and services you can trust.



WHY WESTINGHOUSE ?

Since 1886, Westinghouse has brought the best to life. Today, Westinghouse Electric Corporation remains a trusted name globally in consumer and industrial products. Built on a heritage of innovation and entrepreneurial spirit. Today, Westinghouse continues to grow its diverse portfolio, which includes a wide range of product categories, including home appliances, consumer electronics. Lighting and power generation.





Westinghouse

Pennsylvania , USA

Westinghouse LV MV Product sp. z o.o.

Warsaw, Poland

Westinghouse Lv Mv Product Sdn. Bhd.

Penang, Malaysia

Westinghouse LV MV Product

Dubai, UAE

Westinghouse LV MV Product

Istanbul, Turkey

WWW.westinghouselvmv.com

Email: info@westinghouselvmv.com

™ & © 2024 Westinghouse Electric Corporation. All Rights Reserved.